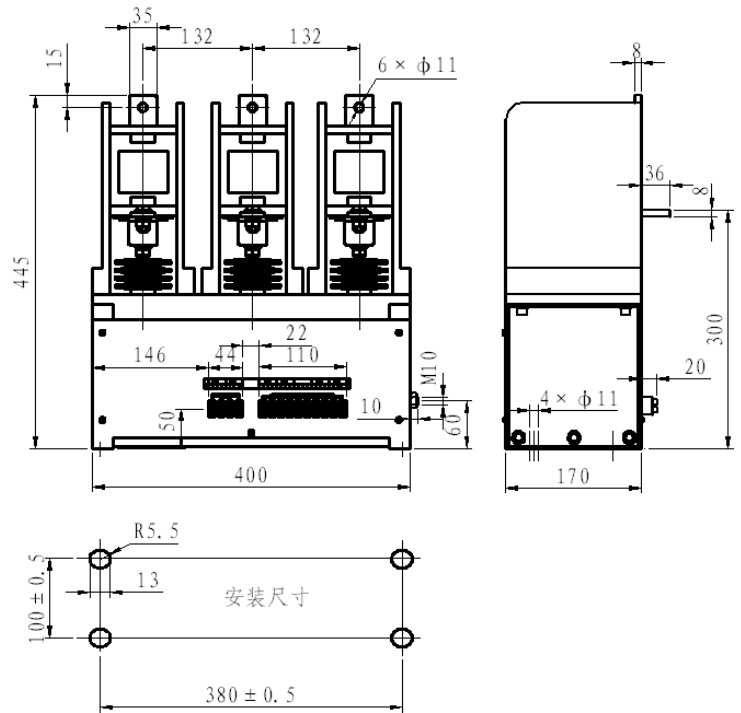


Outline Drawing



CKG4-400A/7.2kV AC Vacuum Contactor (Electrical Latching)

| Technical Parameters | | |
|---|---------------|------------------------|
| Rated Voltage | kV | 7.2 |
| Rated Current | A | 400 |
| Rated Making Capacity | A/100 Times | 4000 |
| Rated Breaking Capacity | A/25 Times | 3200 |
| Limited Breaking Capacity | A/3 Times | 4000 |
| Rated short time withstand current (2S) | kA | 4000 |
| Rated peak withstand current | A | 10000 |
| Mechanical Life | Times | 5×10^5 |
| Electrical Life | Times | 1×10^5 |
| Weight | kg | 25 |
| Control Power Voltage | V (AC/DC) | 110、220 |
| Pick-up Power | W (transient) | 1000 |
| Hold Power | W | 130 |
| Auxiliary Contact | | 3 pairs NO, 2 pairs NC |