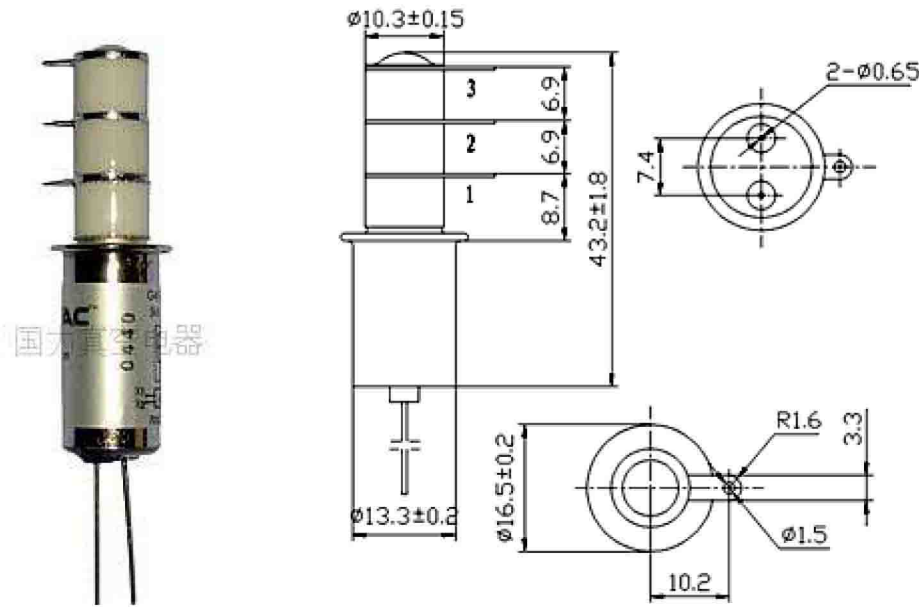


High Voltage Relays: GL45C

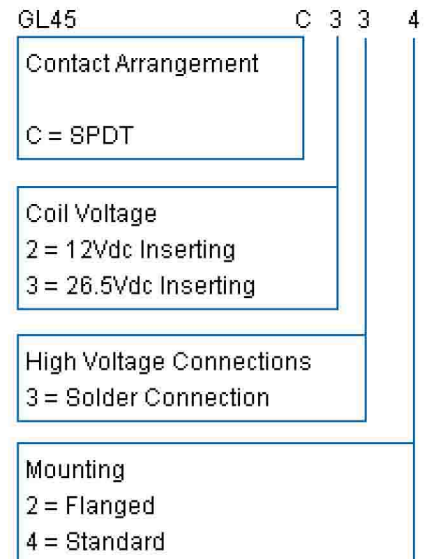


Features

- Smallest size double throw, 5 kV, RF rated relay with its current ratings
- Very low profile, even when wires connected
- Vacuum dielectric for low current power switching
- Low coil power
- Meets or exceeds standards set in MIL-R-83725

Product Specification			
Contact & Relay Ratings	Units	GL45C	
Contact Form		C	
Contact Arrangement		SPDT	
Test Voltag.(kV, Peak), Test Max., Contacts & to Base (15 μ A Leakage Max., dc or 60Hz)	KV Peak	6	
Rated Operating Voltage,(kV,Peak), Contacts & to Base (15 μ A Leakage Max.)	dc or 60Hz	KV Peak	5
	2.5MHz	Kv Peak	4.5
	16MHz	KV Peak	3.5
	32MHz	KV Peak	2.8
Continuous Current, Carry Max	dc or 60Hz	Amps	20
	2.5MHz	Amps	16
	16MHz	Amps	10
	32MHz	Amps	8
Coil Hi-Pot (V RMS, 60 Hz)	V	500	
Capacitance	Across Open Contacts	pF	1.5
	Contacts to Ground	pF	2
Resistance, Contact Max @ 1A, 28Vdc	ohms	0.05	
Operate Time, Max	ms	10	
Release Time, Max	ms	10	
Mechanical Life	Cycles	2 million	
Weight	g(02)	21(0.75)	
Vibration, Sine (10-2000 Hz Peak)	G's	10	
Shock, 1/2 Sine11ms (Peak)	G's	30	
Operating Temperature Ambient	$^{\circ}$ C	-55 ~ +125	

Coil Ratings		
Nominal, Volts dc	12	26.5
Pick-up, Volts dc, Max	8	16
Drop-Out, Volts dc	.5-5	1-10
Coil Resistance($\Omega \pm 10\%$)	230	920



* Order the relay with the coil voltage in the part number as shown above. The coil voltage will appear on the coil plate near the coil terminals rather than in the P/N on the relay.