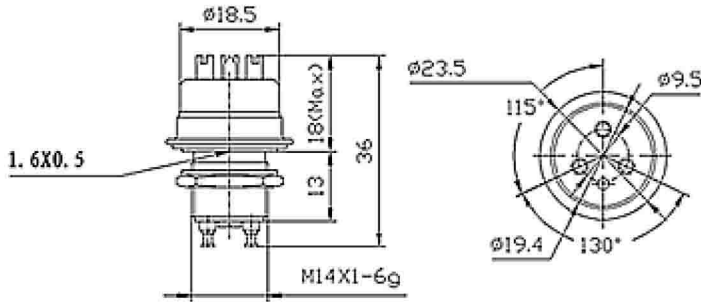


High Voltage Relays: GLH1-GLH3-GLH5



- GLH1 No Load Switching
- Low, stable contact resistance minimizes loss in RF circuits
- High carry current, 25Adc continuous, in a small package

GLH3 Make & Break Load Switching

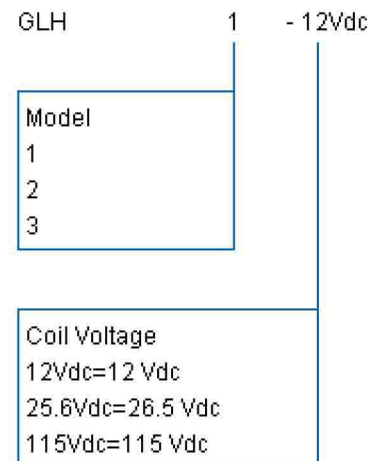
- Durable tungsten contacts for hot load switching
- Vacuum dielectric for effective arc quenching when opening under load

GLH5 Make Only Load Switching

- Excellent for capacitive discharge and safety dump switch applications
- Additional isolation capabilities in many applications (consult factory)
- Consult factory for load switching applications

Product Specification					
Contact & Relay Ratings		Units	GLH1	GLH3	GLH5
Contact Form			C	C	C
Contact Arrangement			SPDT	SPDT	SPDT
Test Voltag,(kV, Peak), Test Max., Contacts & to Base (15 μA Leakage Max., dc or 60Hz)		KV Peak	5	5	5
Rated Operating Voltage,(kV,Peak), Contacts & to Base (15 μA Leakage Max.)	dc or 60Hz	KV Peak	3.5	3.5	3.5
	2.5MHz	Kv Peak	2.5	-	-
	16MHz	KV Peak	2	-	-
	32MHz	KV Peak	1.5	-	-
Continuous Current, Carry Max	dc or 60Hz	Amps	25	18	8
	2.5MHz	Amps	14	-	-
	16MHz	Amps	9	-	-
	32MHz	Amps	7	-	-
Coil Hi-Pot (V RMS, 60 Hz)		V	500	500	500
Capacitance	Across Open Contacts	pF	2	-	-
	Contacts to Ground	pF	2.5	-	-
Resistance, Contact Max @ 1A, 28Vdc		ohms	0.01	0.02	0.50
Operate Time, Max		ms	6	6	6
Release Time, Max		ms	6	6	6
Mechanical Life		Cycles	2 million	2 million	2 million
Weight		g(02)	28(1)	28(1)	28(1)
Vibration, Sine (10-2000 Hz Peak)		G's	10	10	10
Shock, 1/2 Sine11ms (Peak)		G's	50	50	50
Operating Temperature Ambient		°C	-55 ~ +125	-55 ~ +125	-55 ~ +125

Coil Ratings			
Nominal, Volts dc	12	26.5	115
Pick-up, Volts dc, Max	8	16	80
Drop-Out, Volts dc	.5-5	1-10	5-50
Coil Resistance (Ω±10%)	80	330	6000
* Ratings listed are for 25°C, sea level conditions			



* Order the relay with the coil voltage in the part number as shown above. The coil voltage will appear on the coil plate near the coil terminals rather than in the P/N on the relay.