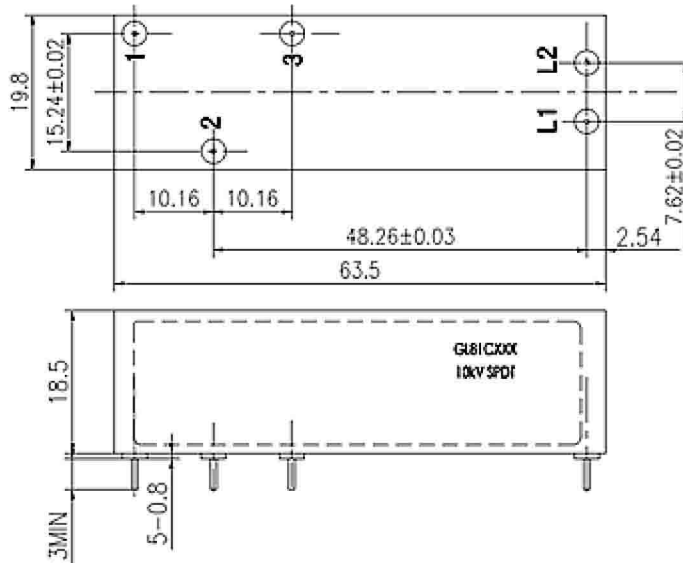


High Voltage Relays: GL81C

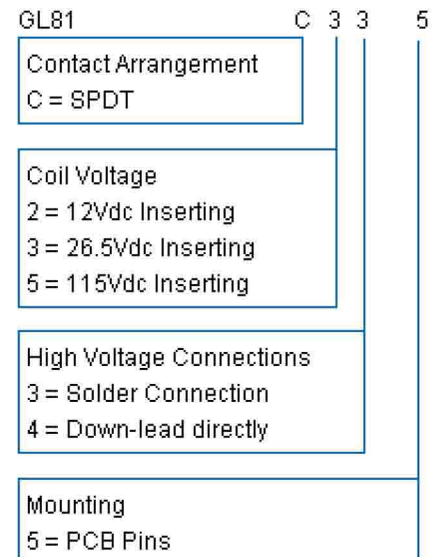


Features

- Best profile available for a high power 10kV relay
- Four standard mechanical configurations offer extreme mounting and connection versatility
- All PC pin or PC pin & flying lead connections provide mounting and connection versatility
- Durable tungsten contacts for hot load switching
- Vacuum dielectric for effective arc quenching when opening under load
- Consult factory for load switching applications

Product Specification			
Contact & Relay Ratings		Units	GL81C
Contact Form			C
Contact Arrangement			SPDT
Test Voltage, (kV, Peak), Test Max., Contacts & to Base (15 μA Leakage Max., dc or 60Hz)		KV Peak	11
Rated Operating Voltage, (kV, Peak), Contacts & to Base (15 μA Leakage Max.)	dc or 60Hz	KV Peak	10
	2.5MHz	Kv Peak	-
	16MHz	KV Peak	-
	32MHz	KV Peak	-
Continuous Current, Carry Max	dc or 60Hz	Amps	5,30*
	2.5MHz	Amps	-
	16MHz	Amps	-
	32MHz	Amps	-
Coil Hi-Pot (V RMS, 60 Hz)		V	NA
Capacitance	Across Open Contacts	pF	-
	Contacts to Ground	pF	-
Resistance, Contact Max @ 1A, 28Vdc		ohms	0.05
Operate Time, Max		ms	10
Release Time, Max		ms	10
Mechanical Life		Cycles	2 million
Weight		g(02)	70(2.5)
Vibration, Sine (10-2000 Hz Peak)		G's	10
Shock, 1/2 Sine 11ms (Peak)		G's	30
Operating Temperature Ambient		°C	-55 ~ +85

Coil Ratings			
Nominal, Volts dc	12	26.5	115
Pick-up, Volts dc, Max	8	16	80
Drop-Out, Volts dc	.5-5	1-10	5-50
Coil Resistance (Ω±10%)	70	290	4700



* Order the relay with the coil voltage in the part number as shown above. The coil voltage will appear on the coil plate near the coil terminals rather than in the P/N on the relay.