



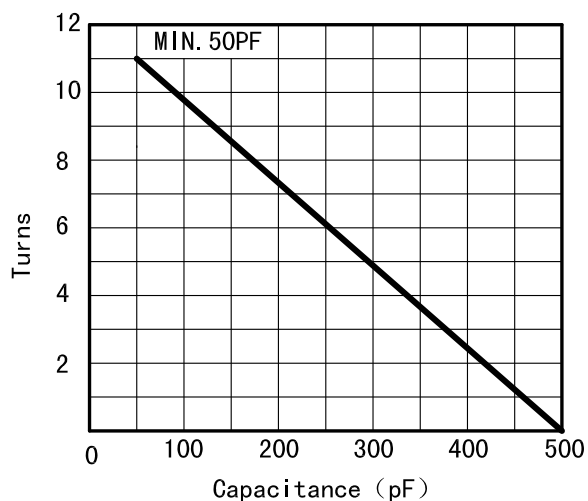
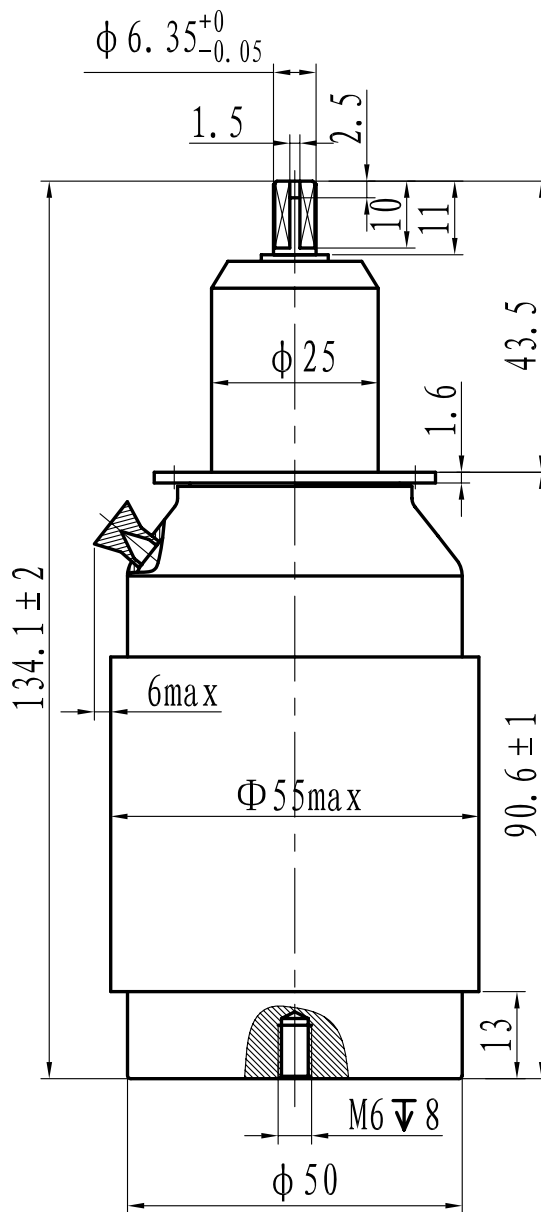
Data-Sheet-Variable Vacuum Capacitor

CKTB500/5. 6/92



www.glvac.com

Specification	
Capacity $C_{max}$ (nominal)	500pF
Capacity $C_{min}$ (nominal)	50pF
Voltage (Peak Test $U_{pt}$ /Peak Working $U_{pw}$ )	8kV/4.8kV
Capacity tolerance (liner Range)	10%
Max. Current $I_{max}$ at 13.56MHz with Conduction Cooling	92Arms 20W
Capacitance per turn	40.9pF/turn
Torque	$\leq 0.2Nm$
Net Weight	0.6kg



$I_{max}$  at 25 °C ambient and 125 °C surface for convection and conduction (20w) cooling

