



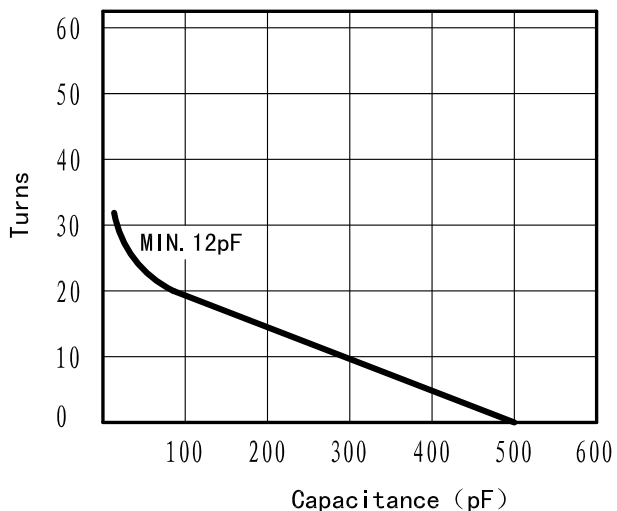
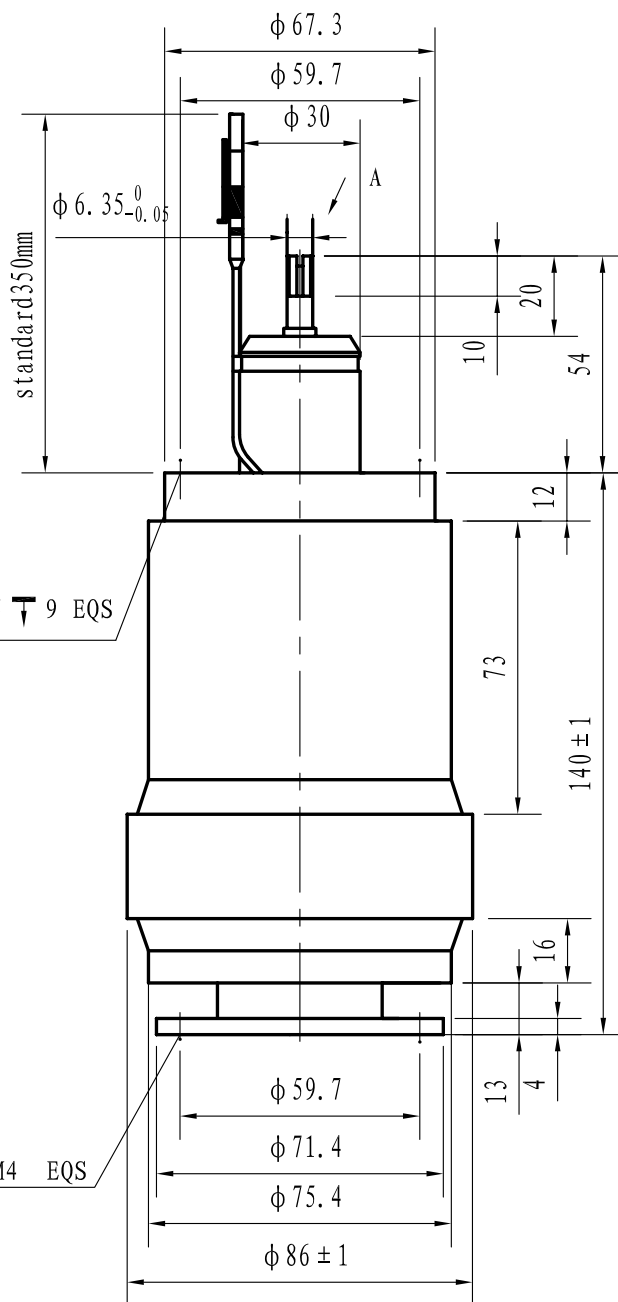
Data-Sheet-Variable Vacuum Capacitor

CKTB500/10/67



www.glvac.com

Specification	
Capacity C_{max} (nominal)	500pF
Capacity C_{min} (nominal)	12pF
Voltage (Peak Test U_{pt} /Peak Working U_{pw})	15kV/9kV
Capacity tolerance (liner Range)	10%
Max. Current I_{max} at 13.56MHz with	67Arms
Conduction Cooling	20W
Capacitance per turn	21.5pF/turn
Torque	$\leq 0.3Nm$
Net Weight	1.8kg



I_{max} at 25 °C ambient and 125 °C surface for convection and conduction (20w) cooling

