

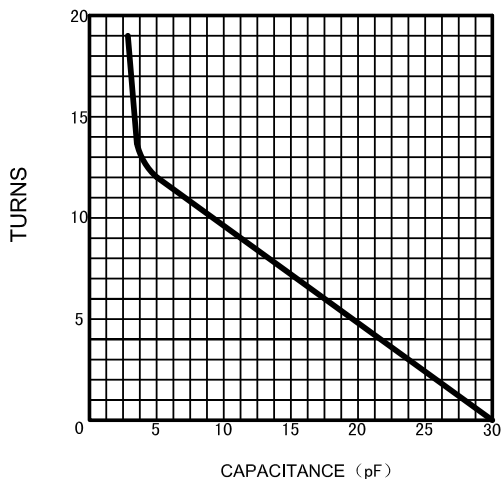
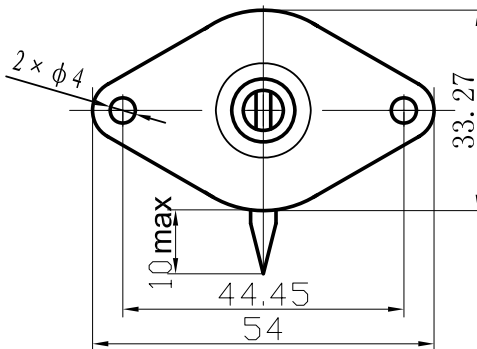
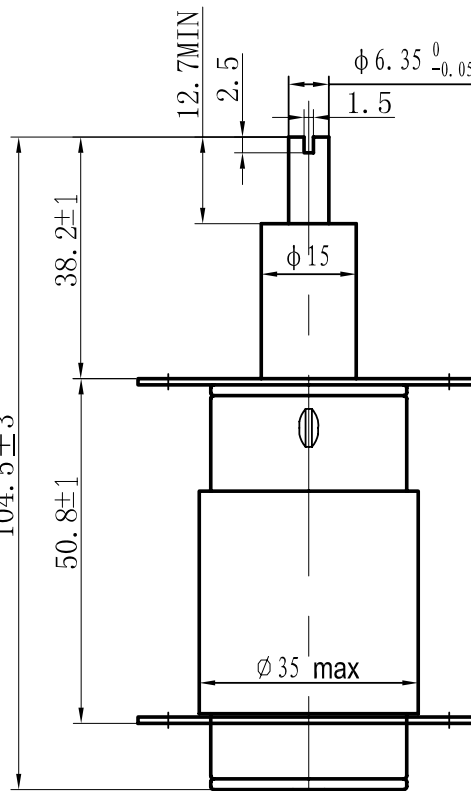
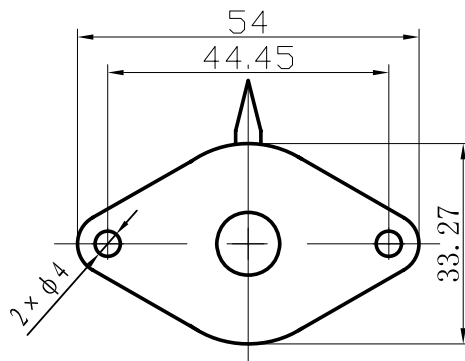


# Data-Sheet-Variable Capacitor CKTB30/9/30



www.glvac.com

Specification	
Capacity $C_{max}$ (nominal)	30pF
Capacity $C_{min}$ (nominal)	3pF
Voltage (Peak Test $U_{pt}$ /Peak Working $U_{pw}$ )	15kV/9kV
Capacity tolerance (liner Range)	10%
Max. Current $I_{max}$ at 13.56MHz with	30Arms
Conduction Cooling	10W
Capacitance per turn	2.1pF/turn
Torque	$\leq 0.17N.m$
Net Weight	0.2 kg



$I_{max}$  at 25° ambient and 125° surface temp. for convection and conduction (10W) cooling

