



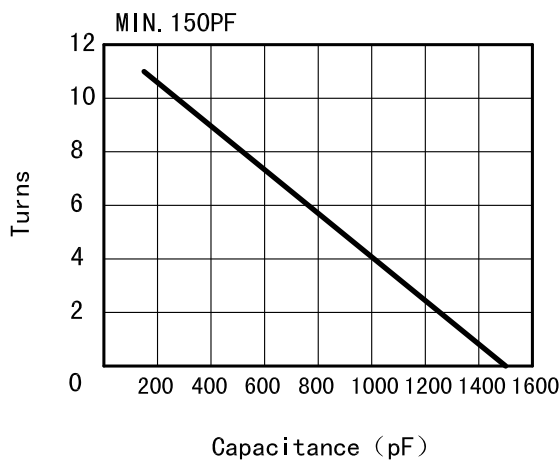
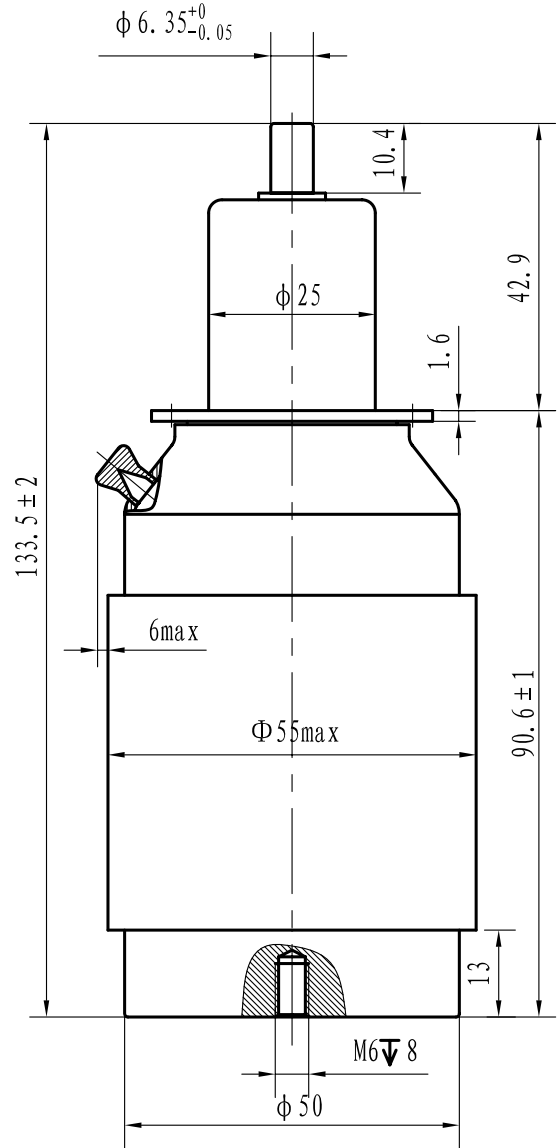
Data-Sheet-Variable Vacuum Capacitor

CKTB1500/2.8/85



www.glvac.com

Specification	
Capacity C_{max} (nominal)	1500pF
Capacity C_{min} (nominal)	150pF
Voltage (Peak Test U_{pt} /Peak Working U_{pw})	4kV/2.4kV
Capacity tolerance (liner Range)	10%
Max. Current I_{max} at 13.56MHz with Conduction Cooling	85Arms 20W
Capacitance per turn	123.9pF/turn
Torque	$\leq 0.15Nm$
Net Weight	0.7kg



I_{max} at 25 °C ambient and 125 °C surface for convection and conduction (20w) cooling

