



Data-Sheet-Fixed Vacuum Capacitor

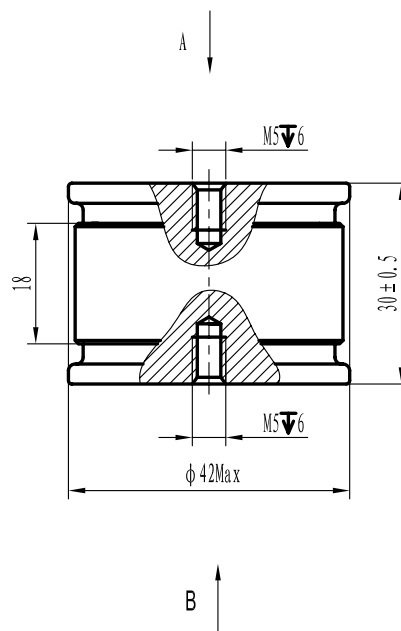
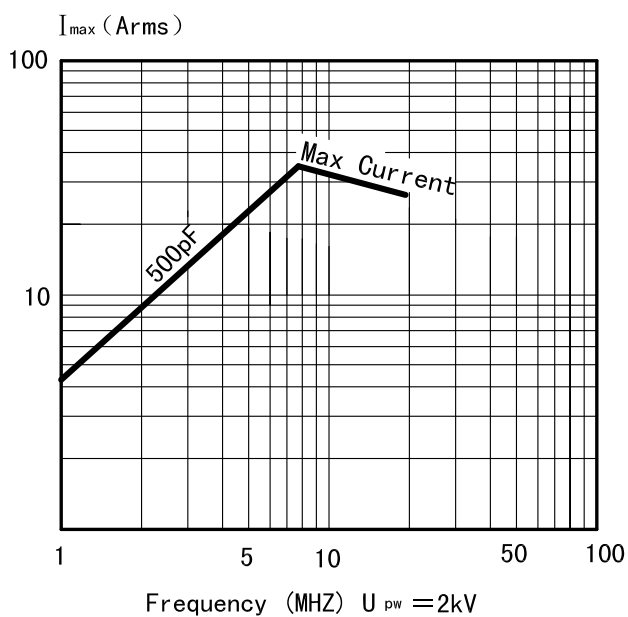
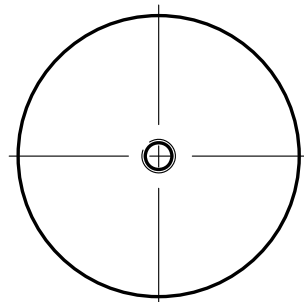
CKT500/2.5/35



www.glvac.com

Specification	
Capacity $C_{max}$ (nominal)	500pF
Voltage (Peak Test $U_{pt}$ /Peak Working $U_{pw}$ )	3.6kV/2kV
Capacity tolerance	$\pm 5\%$
Max. Current $I_{max}$ at 7.8MHz with	35Arms
Conduction Cooling	
Net Weight	0.17kg

VIEW B



VIEW A

