



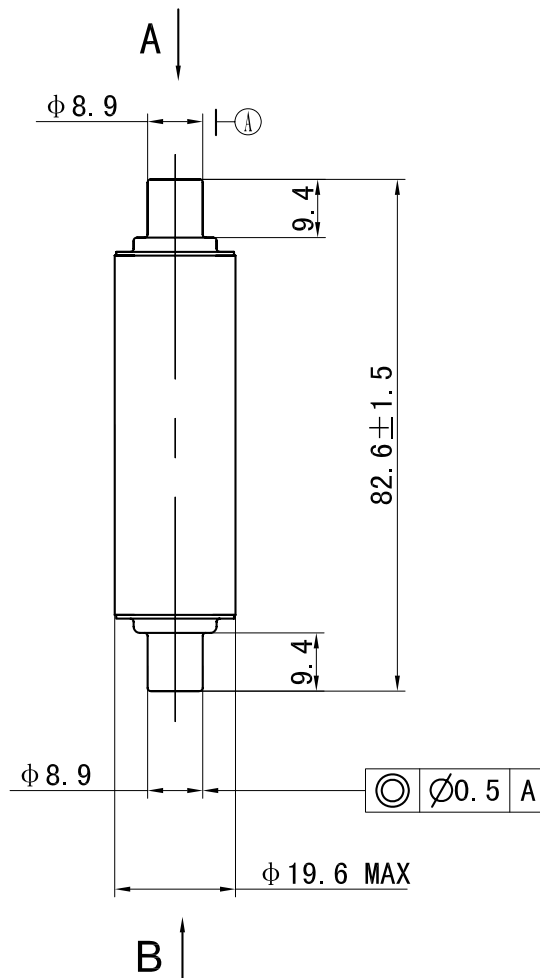
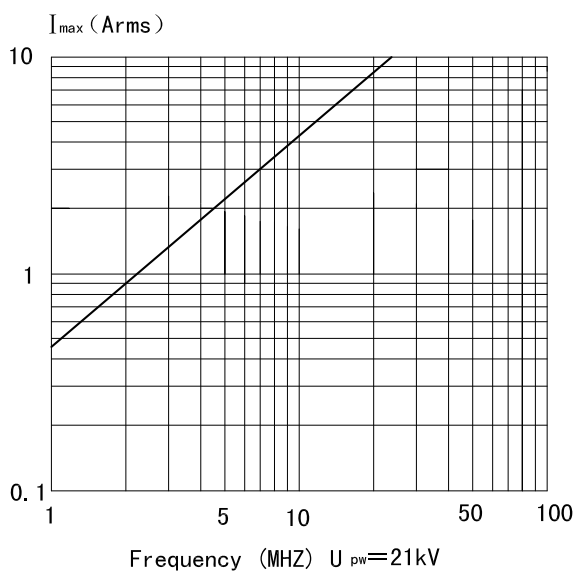
Data-Sheet-Fixed Capacitor

CKT5/21/12



www.glvac.com

Specification	
Capacity C_{max} (nominal)	5pF
Voltage (Peak Test U_{pt} /Peak Working U_{pw})	30kV/21kV
Capacity tolerance	± 0.5 pF
Max. Current I_{max} at 21.4MHz with	10Arms
Conduction Cooling	
Net Weight	0.06kg



VIEW A

VIEW B

