



Data-Sheet-Fixed Vacuum Capacitor

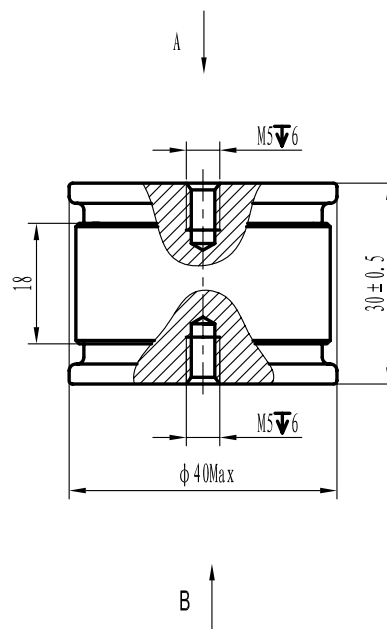
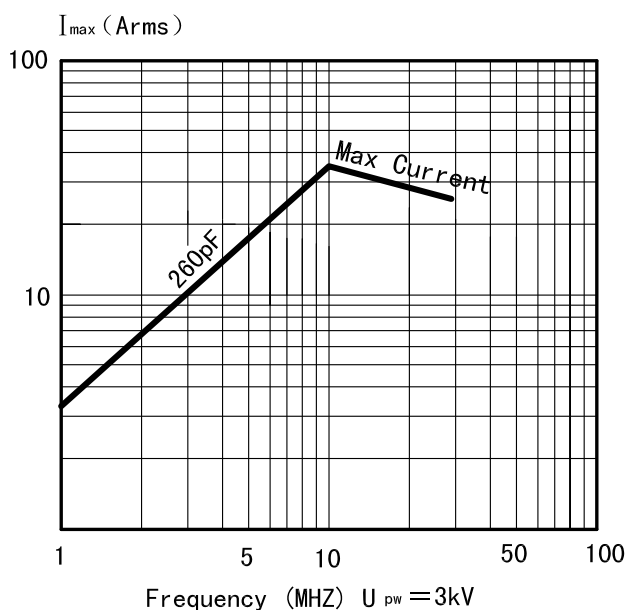
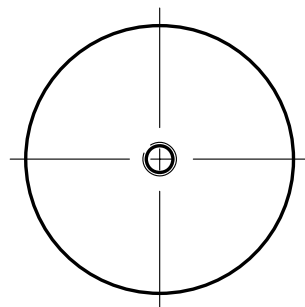
CKT260/3.5/35



www.glvac.com

Specification	
Capacity $C_{max}$ (nominal)	260pF
Voltage (Peak Test $U_{pt}$ /Peak Working $U_{pw}$ )	5kV/3kV
Capacity tolerance at 10MHz with	$\pm 5\%$
Max. Current $I_{max}$ at 10MHz with	35Arms
Conduction Cooling	
Net Weight	0.16kg

VIEW B



VIEW A

