

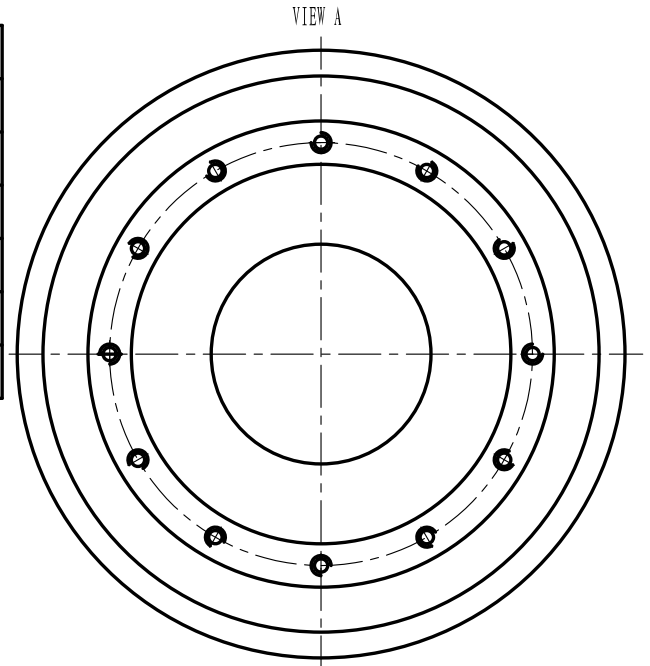


Data-Sheet-Fixed Capacitor
CKT2500/17/246



www.glvac.com

Specification	
Capacity C_{max} (nominal)	2500pF
Voltage (Peak Test U_{pt} /Peak Working U_{pw})	30kV/18kV
Capacity tolerance	$\pm 5\%$
Max. Current I_{max} at 13.56MHz with	246Arms
Conduction Cooling	50W
Net Weight	8.4kg



I_{max} at 25 °C ambient and 125 °C surface for convection and conduction (50w) cooling

I_{max} (Arms)

