

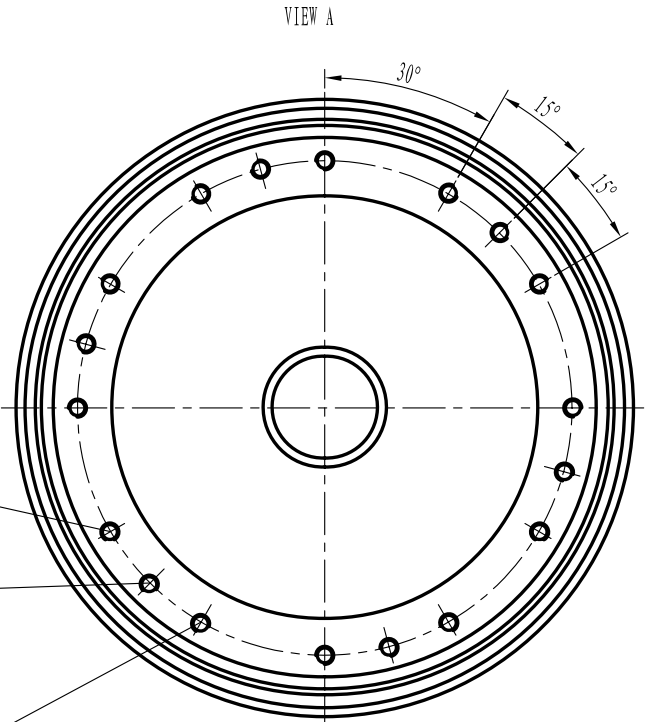


Data-Sheet-Fixed Capacitor  
CKT2000/33/400



www.glvac.com

Specification	
Capacity $C_{max}$ (nominal)	2000pF
Voltage (Peak Test $U_{pt}$ /Peak Working $U_{pw}$ )	55kV/33kV
Capacity tolerance	$\pm 5\%$
Max. Current $I_{max}$ at 13.56MHz with	283Arms
Conduction Cooling	50W
Net Weight	15kg



$6 \times M6 \downarrow 9$  EQS  
BOTH ENDS

$6 \times M6 \downarrow 9$  EQS  
BOTH ENDS

$6 \times 1/4-20UNC-2B \downarrow 9$  EQS  
BOTH ENDS

