



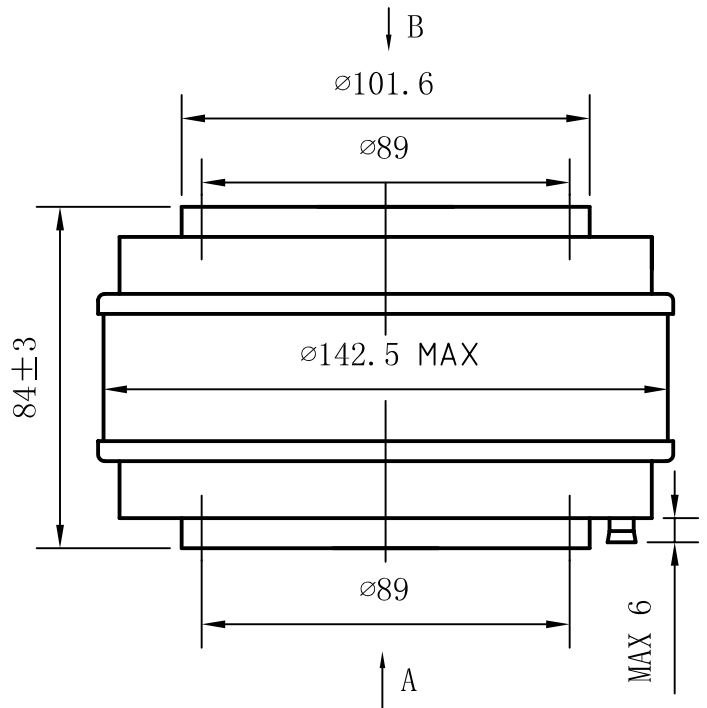
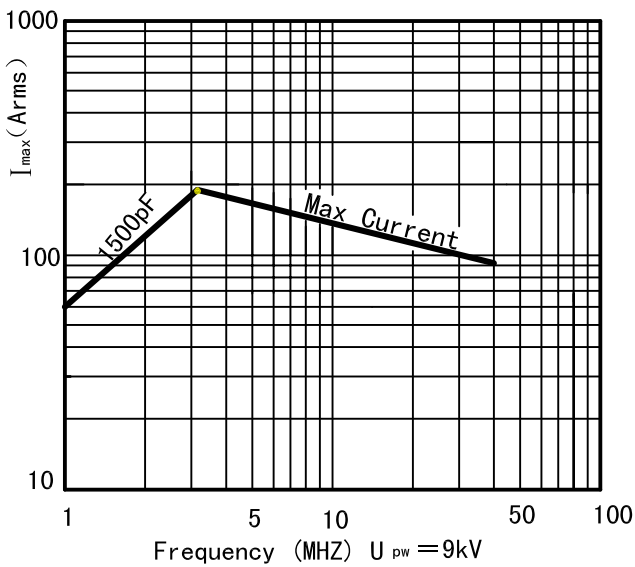
Data-Sheet-Fixed Vacuum Capacitor  
CKT1500/10/190



www.glvac.com

Specification	
Capacity C <sub>max</sub> (nominal)	1500pF
Voltage (Peak Test U <sub>pt</sub> /Peak Working U <sub>pw</sub> )	15kV/9kV
Capacity tolerance	5%
Max. Current I <sub>max</sub> at 3.17MHz with	190A (rms)
Conduction Cooling	50W
Net Weight	3kg

I<sub>max</sub> at 25 °C ambient and 125 °C surface for convection and conduction (50w) cooling



VIEW A

VIEW B

