



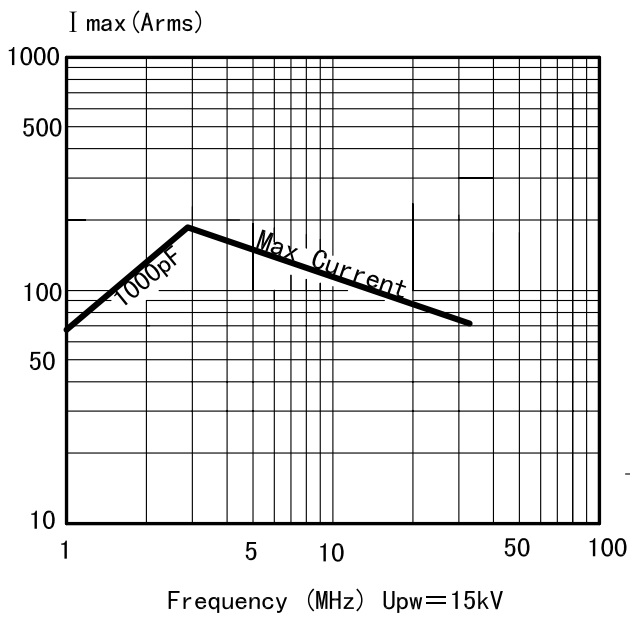
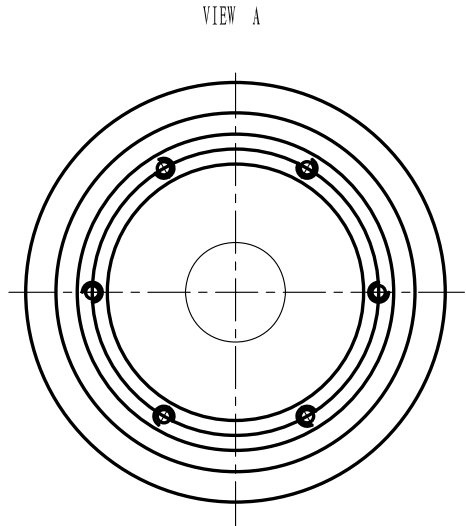
Data-Sheet-Fixed Capacitor

CKT1000/17.5/180

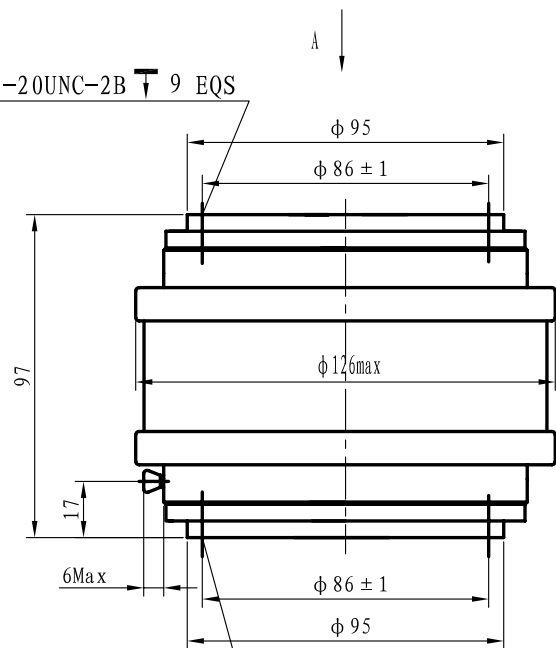


www.glvac.com

Specification	
Capacity C_{max} (nominal)	1000pF
Voltage (Peak Test U_{pt} /Peak Working U_{pw})	25kV/15kV
Capacity tolerance	$\pm 5\%$
Max. Current I_{max} at 2.7MHz with	180Arms
Conduction Cooling	
Net Weight	3.12kg



$6 \times 1/4-20UNC-2B \quad \nabla \quad 9 \quad EQS$



$6 \times 1/4-20UNC-2B \quad \nabla \quad 9 \quad EQS$