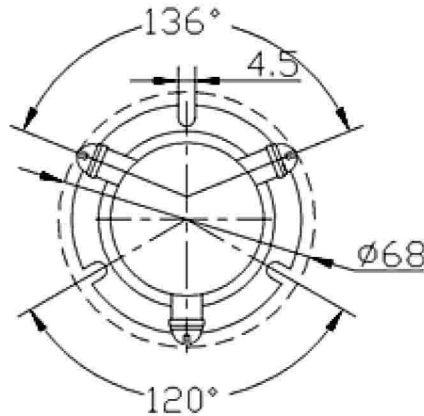
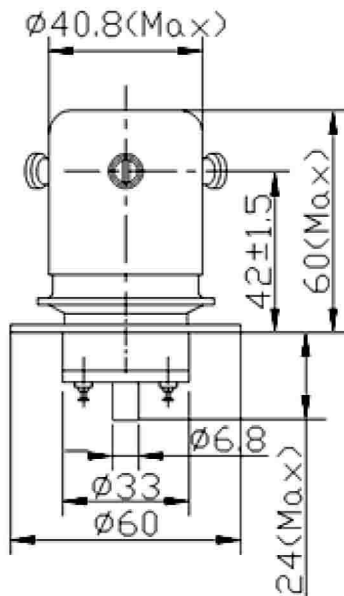


High Voltage Relays: GL9



Features

- Rugged, high current carry ceramic relay
- Vacuum as dielectric, low contact resistance



Product Specification			
Contact & Relay Ratings		Units	GL9
Contact Form			C
Contact Arrangement			SPDT
Test Voltag,(kV, Peak), Test Max., Contacts & to Base (15 μA Leakage Max., dc or 60Hz)		KV Peak	22
Rated Operating Voltage,(kV,Peak), Contacts & to Base (15 μA Leakage Max.)	dc or 60Hz	KV Peak	20
	2.5MHz	Kv Peak	15
	16MHz	KV Peak	13
	32MHz	KV Peak	10
Continuous Current, Carry Max	dc or 60Hz	Amps	75
	2.5MHz	Amps	35
	16MHz	Amps	22
	32MHz	Amps	17
Coil Hi-Pot (V RMS, 60 Hz)		V	500
Capacitance	Across Open Contacts	pF	3
	Contacts to Ground	pF	3.5
Resistance, Contact Max @ 1A, 28Vdc		ohms	0.01
Operate Time, Max		ms	30
Release Time, Max		ms	8
Mechanical Life		Cycles	1 million
Weight		g	300
Vibration, Sine (10-2000 Hz Peak)		G's	10
Shock, 1/2 Sine11 ms (Peak)		G's	50
Operating Temperature Ambient		°C	-55 ~ +125

Coil Ratings			
Nominal, Volts dc	24	26.5	-
Pick-up, Volts dc, Max	16	16.5	-
Drop-Out, Volts dc	1-10	1-10	-
Coil Resistance (Ω±10%)	190	190	-
* Ratings listed are for 25°C, sea level conditions			

GL9

W F - 26.5Vdc

High Voltage/Power Terminal
W = Screw

Mounting
F = Flange

Coil Voltage
25.6Vdc=26.5 Vdc

* Order the relay with the coil voltage in the part number as shown above. The coil voltage will appear on the coil plate near the coil terminals rather than in the P/N on the relay.