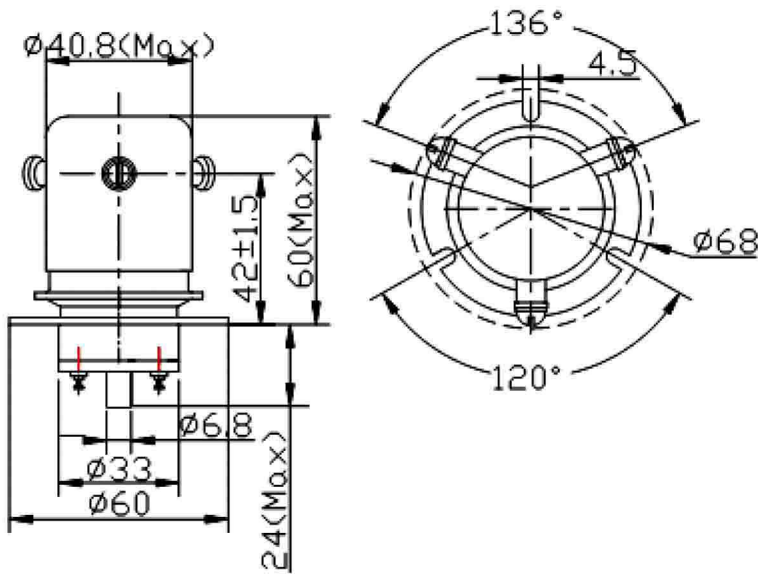


High Voltage Relays: GL10



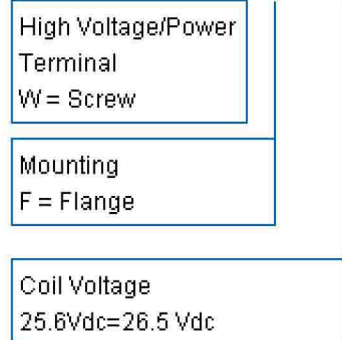
Features
 Load switch
 Vacuum as dielectric, low contact resistance



Product Specifications			
Contact & Relay Ratings		Units	GL10WF
Contact Form			C
Contact Arrangement			SPDT
Voltage, Test Max., Contacts & to Base (15 μ A Leakage Max., dc or 60Hz)		KV Peak	22
Voltage, Operating Max., Contacts & to Base (15 μ A Leakage Max.)	dc or 60Hz	KV Peak	20
	2.5MHz	Kv Peak	-
	16MHz	KV Peak	-
	32MHz	KV Peak	-
Current, Continuous Carry Max	dc or 60Hz	Amps	45
	2.5MHz	Amps	-
	16MHz	Amps	-
	32MHz	Amps	-
Coil Hi-Pot (V RMS, 60 Hz)		V	500
Capacitance	Across Open Contacts	pF	3
	Contacts to Ground	pF	3.5
Resistance, Contact Max @ 1A, 28Vdc		ohms	0.02
Operate Time		ms	30
Release Time		ms	8
Life, Mechanical		Cycles	1million
Weight, Nominal		g	300
Vibration, Operating, Sine (10-2000 Hz Peak)		G's	10
Shock, Operating, 1/2 Sine 11ms (Peak)		G's	50
Temperature Ambient Operating		$^\circ$ C	-55 ~ +125

Coil Ratings			
Nominal, Volts dc	12	24	26.5
Pick-up, Volts dc, Max.	8	16	16
VdcDrop-Out, Volts dc	.5-5	1-10	1-10
Coil Resistance (Ohms \pm 10%)	48	190	190
* Ratings listed are for 25 $^\circ$ C, sea level conditions			

GL10 W F -26.5Vdc



* Order the relay with the coil voltage in the part number as shown above. The coil voltage will appear on the coil plate near the coil terminals rather than in the P/N on the relay.