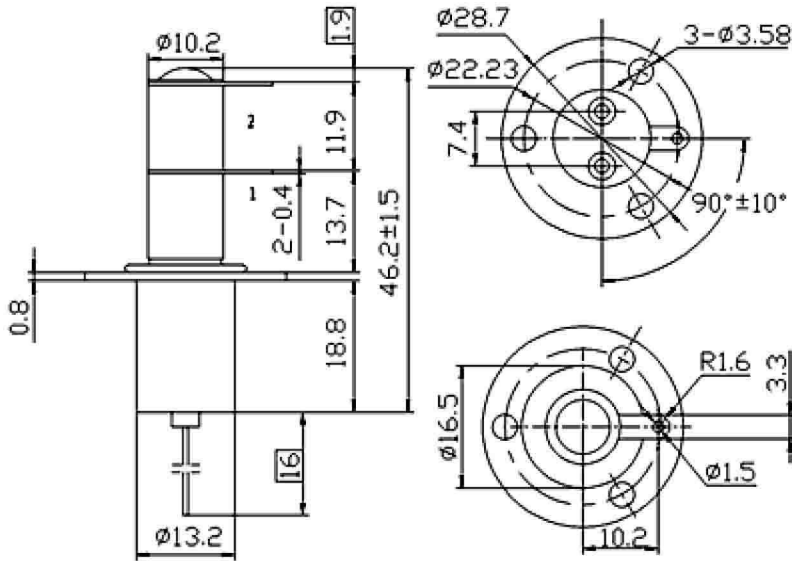


High Voltage Relays: GL47A-GL47B

Features

- Slim design is extremely space efficient in multi-relay applications
- RF efficient design offers high power handling in a small package
- Durable tungsten contacts for hot load switching
- Vacuum dielectric for effective arc quenching when opening under load
- Consult factory for load switching applications

Product Specification				
Contact & Relay Ratings		Units	GL47A	GL47B
Contact Form			A	B
Contact Arrangement			SPDT -NO	SPDT-NC
Test Voltage,(kV, Peak), Test Max., Contacts & to Base (15 µA Leakage Max., dc or 60Hz)		KV Peak	9	9
Rated Operating Voltage,(kV,Peak), Contacts & to Base (15 µA Leakage Max.)	dc or 60Hz	KV Peak	8	8
	2.5MHz	Kv Peak	7.5	7.5
	16MHz	KV Peak	7	7
	32MHz	KV Peak	5	5
Continuous Current, Carry Max	dc or 60Hz	Amps	12	12
	2.5MHz	Amps	10	10
	16MHz	Amps	5	5
	32MHz	Amps	3	3
Coil Hi-Pot (V RMS, 60 Hz)		V	500	500
Capacitance	Across Open Contacts	pF	1.2	1.2
	Contacts to Ground	pF	1.2	1.2
Resistance, Contact Max @ 1A, 28Vdc		ohms	0.03	0.03
Operate Time, Max		ms	10	10
Release Time, Max		ms	10	10
Mechanical Life		Cycles	2 million	2 million
Weight		g(02)	25.5(0.9)	25.5(0.9)
Vibration, Sine (10-2000 Hz Peak)		G's	10	10
Shock, 1/2 Sine11ms (Peak)		G's	30	30
Operating Temperature Ambient		°C	-55 ~ +125	-55 ~ +125

Coil Ratings		
Nominal, Volts dc	12	26.5
Pick-up, Volts dc, Max	8	16
Drop-Out, Volts dc	.5-5	1-10
Coil Resistance (Ω±10%)	230	920

* Ratings listed are for 25°C, sea level conditions

GL47	A	3	3	4
Contact Arrangement A = SPST-NO B = SPST-NC				
Coil Voltage 2 = 12Vdc inserting 3 = 26.5Vdc inserting				
High Voltage Connections 3 = Solder Connection				
Mounting 2 = Flanged 4 = Standard				

* Order the relay with the coil voltage in the part number as shown above. The coil voltage will appear on the coil plate near the coil terminals rather than in the P/N on the relay.