

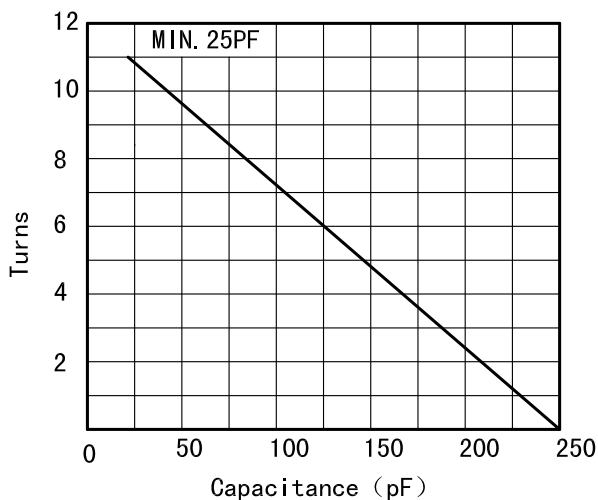
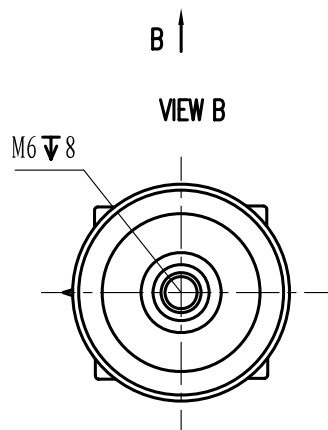
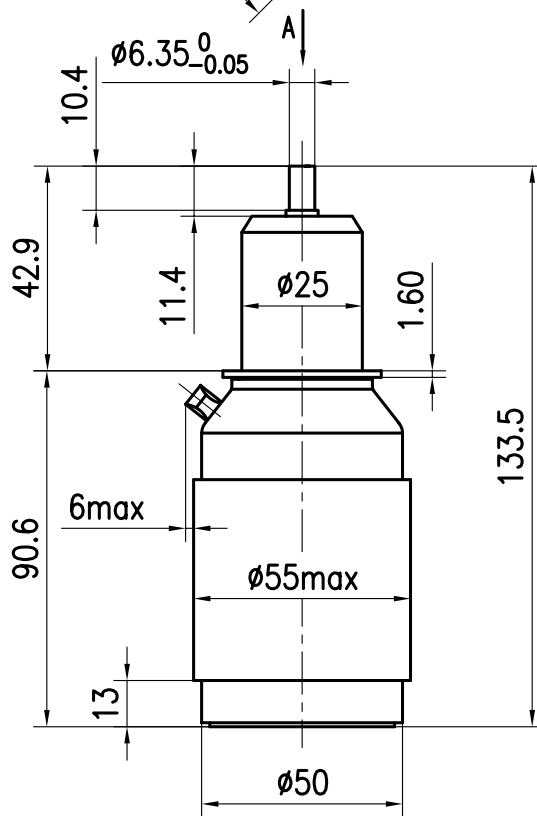
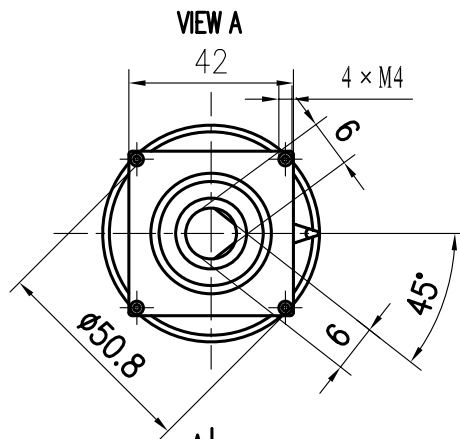


Data-Sheet-Variable Vacuum Capacitor
CKTB250/10/94



www.glvac.com

Specification	
Capacity C_{max} (nominal)	250pF
Capacity C_{min} (nominal)	25pF
Voltage (Peak Test U_{pt} /Peak Working U_{pw})	15kV/9kV
Capacity tolerance (liner Range)	10%
Max. Current I_{max} at 13.56MHz with	94Arms
Conduction Cooling	20W
Tuner Turns (± 0.5)	10.5
Capacitance per turn (± 1.1 pF)	21.4pF/turn
Torque	≤ 0.2 Nm
Net Weight	0.6kg



I_{max} at 25 °C ambient and 125 °C surface for convection and conduction (20w) cooling

