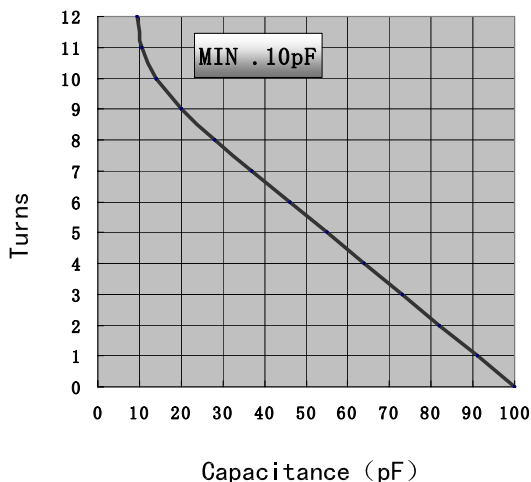
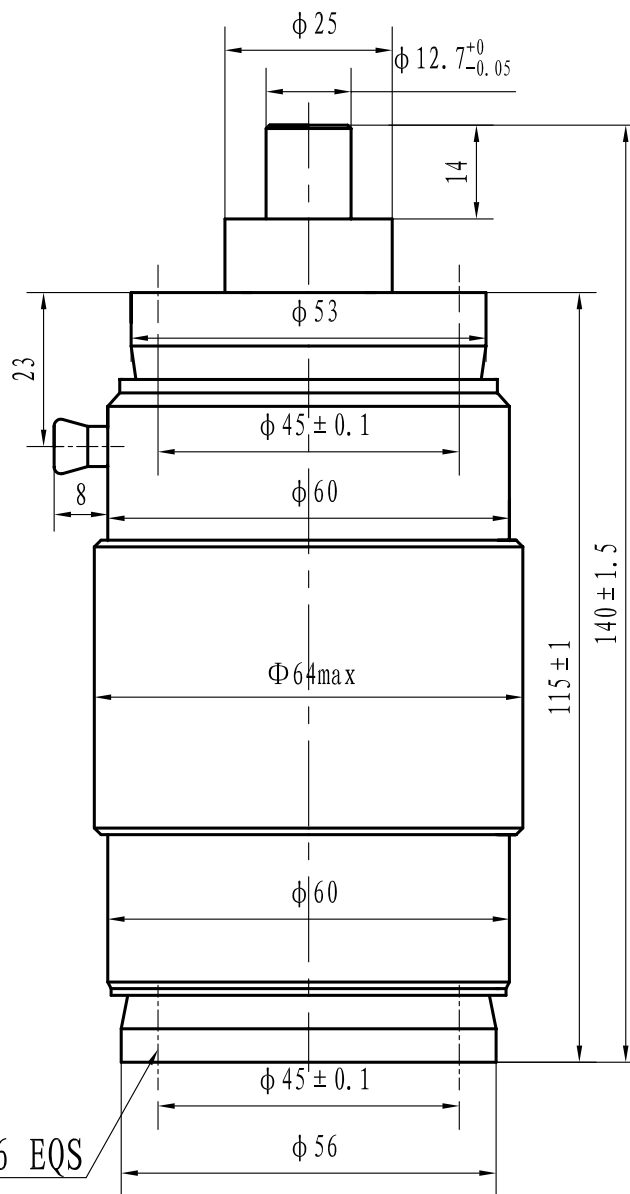




Data-Sheet-Variable Vacuum Capacitor
CKTB100/10/54 (II)



Specification	
Capacity C_{max} (nominal)	100pF
Capacity C_{min} (nominal)	10pF
Voltage (Peak Test U_{pt} /Peak Working U_{pw})	15kV/9kV
Capacity tolerance (liner Range)	10%
Max. Current I_{max} at 13.56MHz with Convection Cooling	54Arms
Capacitance per turn	$9 \pm 2pF/turn$
Torque	$\leq 0.245N.m$
Net Weight	0.95kg



I_{max} at ambient and 125 °C
surface temp. for convection cooling

