



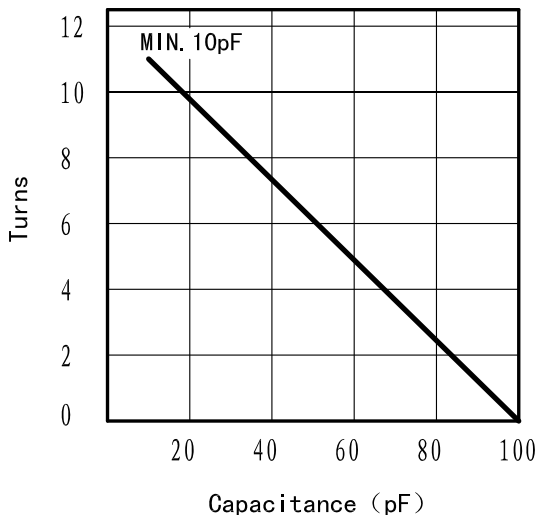
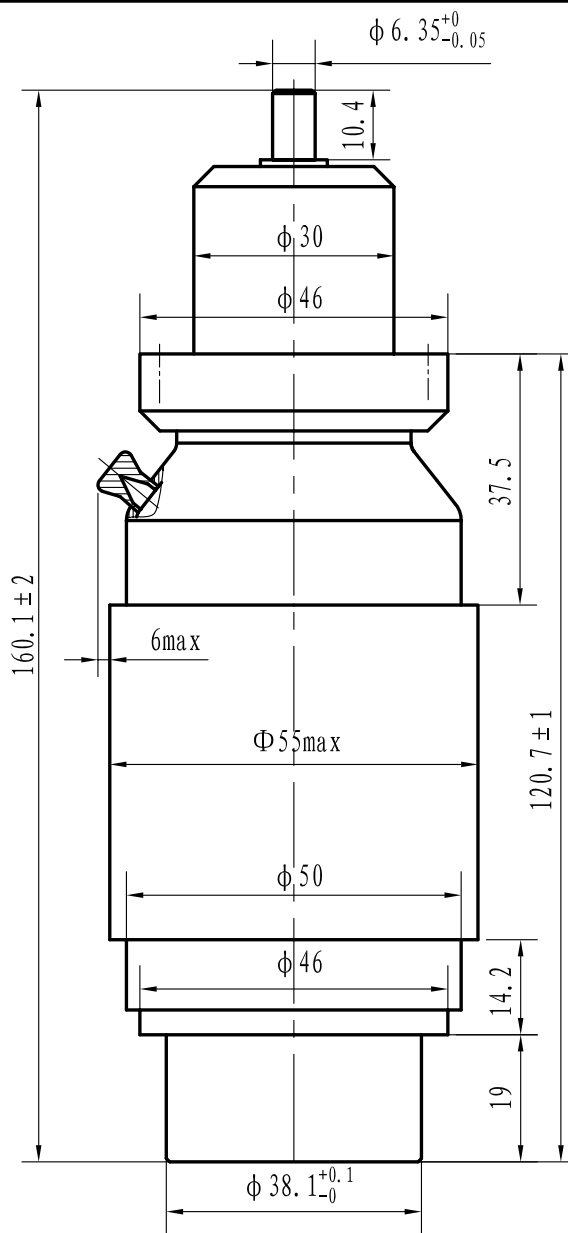
Data-Sheet-Variable Vacuum Capacitor

CKTB100/10/54 (I)



www.glvac.com

Specification	
Capacity C_{max} (nominal)	100pF
Capacity C_{min} (nominal)	10pF
Voltage (Peak Test U_{pt} /Peak Working U_{pw})	15kV/9kV
Capacity tolerance (liner Range)	10%
Max. Current I_{max} at 13.56MHz with	54Arms
Conduction Cooling	20W
Capacitance per turn	8.4pF/turn
Torque	$\leq 0.15Nm$
Net Weight	0.7kg



I_{max} at ambient and 125 °C surface temp. for convection and conduction (20w) cooling

