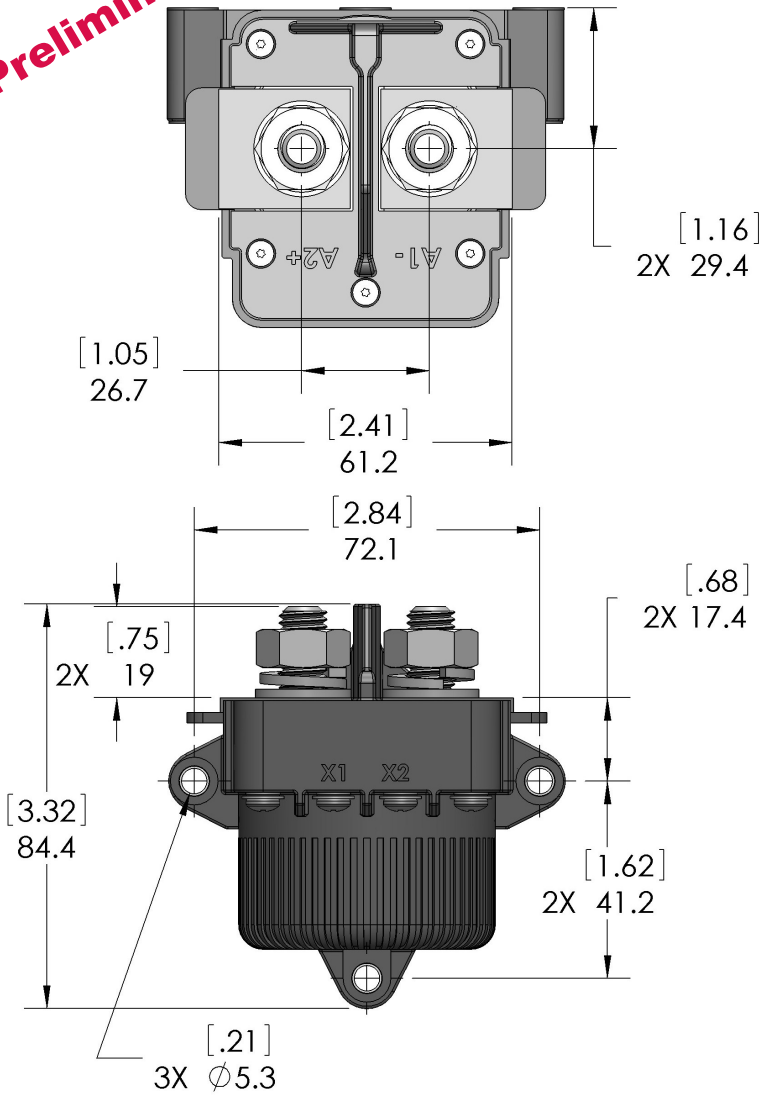
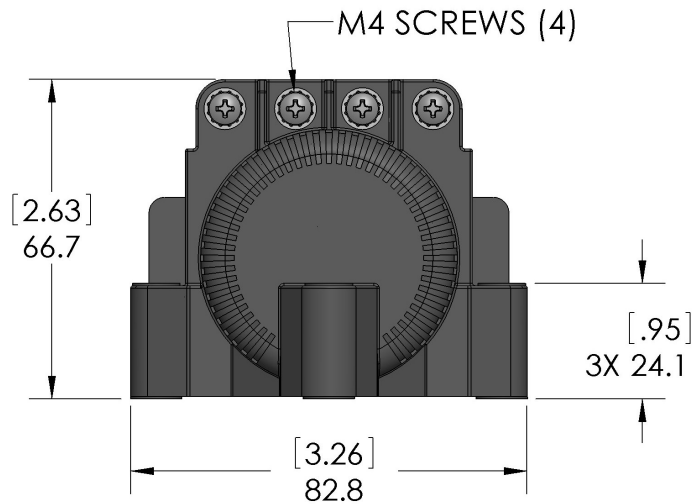


**Preliminary**



**Key Features**

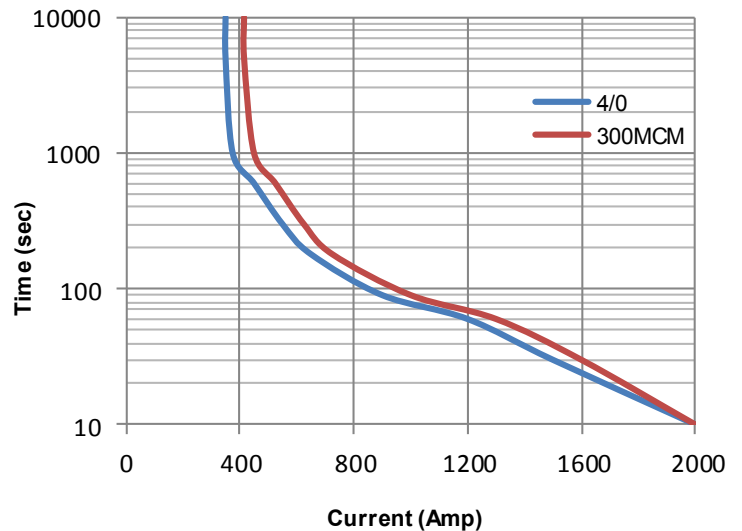
|                                 |  |
|---------------------------------|--|
| <b>EPIC® Seal</b>               | Ceramic to metal braze. Gas filled hermetic chamber protects key components. Exceeds IP69 standard |
| <b>Temperature</b>              | Tested to temperatures up to 200°C   |
| <b>Contacts / Form</b>          | Silver / SPST / NO   |
| <b>Coil</b>                     | Efficient two coil design with no PWM or EMI emissions. Coil suppression built in                  |
| <b>High Shock and Vibration</b> | For rugged environments, off-road and tracked vehicles   |
| <b>Installation</b>             | Not direction sensitive  |
| <b>Made in USA</b>              | Designed and manufactured in the USA   |
| <b>Reference</b>                | RoHS   |



**Power Terminals**  
Stainless M10 X 1.25 Bolt  
Stainless M10 X 1.25 Nut  
Stainless Lock Washer  
Stainless Flat Washer  
Torque 9-10 Nm [80-90 in-lb]

**Mounting Hardware**  
M5 [No. 10] Bolts (not incl.)  
Torque 2-4 Nm [18-35 in-lb]

**Current Carry vs Time**  
with 85°C terminal temperature rise



| Technical Specification     |                                       |
|-----------------------------|---------------------------------------|
| Continuous Current          | 400A w/ 300MCM (see graph on reverse) |
| Max Current—1 sec           | 3000A                                 |
| Max Current—10 sec          | 2000A                                 |
| Max Current—90 sec          | 1000A                                 |
| Contact Voltage Drop (max)  | 150mV at 400A                         |
| Insulation Resistance (min) | 100MΩ (50MΩ after life)               |
| Dielectric Withstanding     | 1500VRMS (1050 VRMS after life)       |
| Operate Time (max)          | 20 msec (include bounce)              |
| Release Time (max)          | 12 msec                               |
| Weight                      | 1.1 lb with hardware (500 grams)      |

**MX34 \_ D \_**

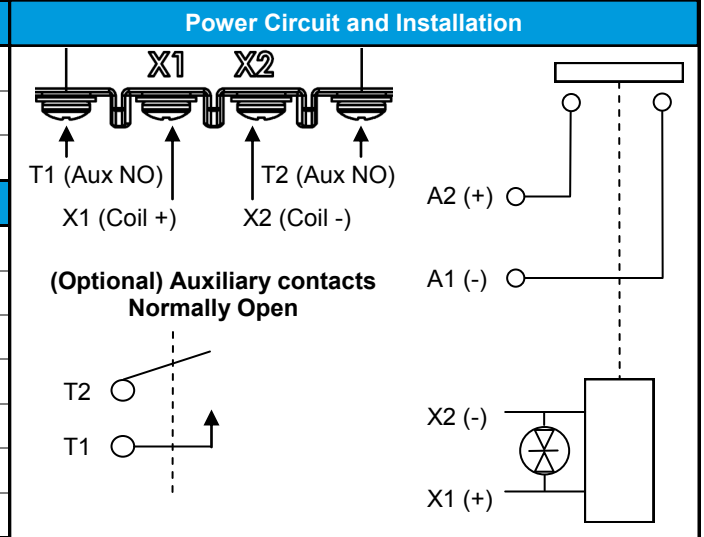
**Coil Voltage:** \_\_\_\_\_

**B = 12V**  
**C = 24V**  
**F = 48V**

**Auxiliary Contacts:** \_\_\_\_\_

**Blank = none**  
**B = SPST, Normally Open**

| Resistive Load Switching |                |
|--------------------------|----------------|
| 400A at 24 VDC           | 100,000 cycles |
| Mechanical Life          | 300,000 cycles |
| Fault Interrupt @ 28VDC  | 3000A          |



| Environmental Specifications                         |   |
|--|---|
| Seal   | Hermetic, 10 E-9 atm cc/sec                     |
| Temperature Range                                    | -55°C to +100°C                                 |
| Shock  | Sawtooth @ 20G, 11ms, ½ Sine @ 25G, 11ms        |
| Vibration  | 10-2000 Hz, 20G                                 |
| Water / Steam  | 2750 psi waterjet, 105 psi steam, boiling water |
| Resistant to corrosion, chemicals, and fungal growth |   |

| Auxiliary contacts (optional) - Form A, SPST Normally Open |             |
|--|-------------|
| Switching Current (max)                                    | 1A at 28VDC |
| Switching Current (min)                                    | 0.1mA at 5V |

| Coil Data                                     |                |               |             |
|---|----------------|---------------|-------------|
| *Contact factory for additional coil voltages |                |               |             |
| Coil Part #                                   | B              | C             | F           |
| Nominal Voltage                               | 12 VDC         | 24 VDC        | 48 VDC      |
| Max Voltage                                   | 16 VDC         | 33VDC         | 60 VDC      |
| Pickup Voltage (max)                          | 10 VDC         | 20 VDC        | 40 VDC      |
| Dropout Voltage                               | 0.5 to 5.5 VDC | 0.5 to 10 VDC | 2 to 21 VDC |
| Pull-in Current ( max 75ms)                   | 4.0 A          | 1.7 A         | 0.9 A       |
| Coil Current (Amps)                           | 0.30 A         | 0.12 A        | 0.06 A      |
| Coil Power (Watts)                            | 3.6 W          | 2.88 W        | 2.88 W      |
| Internal Coil Suppression                     | Transorb       |               |             |
| Coil Back EMF                                 | 45V            |               | 110V        |



| Options and Accessories |  |
|-------------------------|--|
|                         |  |
|                         |  |

|  |  |  |
|--|--|--|
| <b>GIGAVAC®</b>                                      |  | P.O. Box 4428<br>Santa Barbara, CA 93140 |
| <a href="http://www.gigavac.com">www.gigavac.com</a> | <a href="mailto:info@gigavac.com">info@gigavac.com</a> | <b>+805-684-8401</b>                     |
| Rev 2  | 10/09/10   | © 2010 GIGAVAC, LLC                      |
| Page 2 of 2  |  | <b>MX34</b>                              |