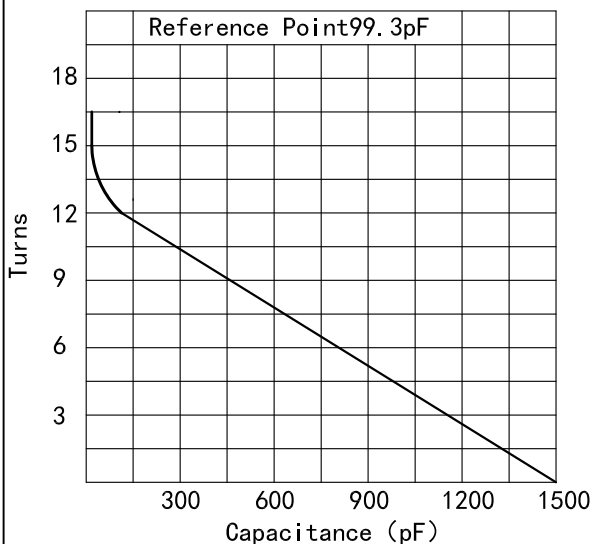
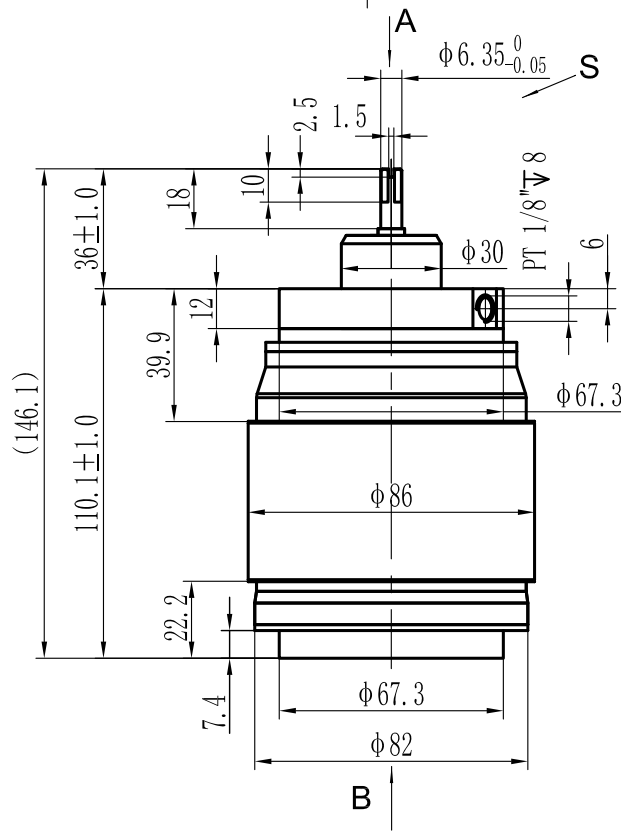
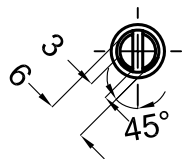
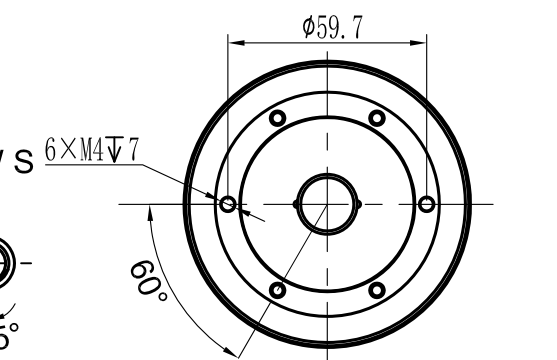
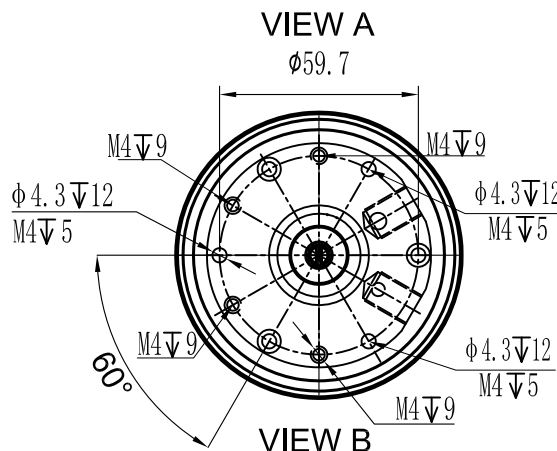


# Data-Sheet-Variable Vacuum Capacitor CKTBS1500/5/150

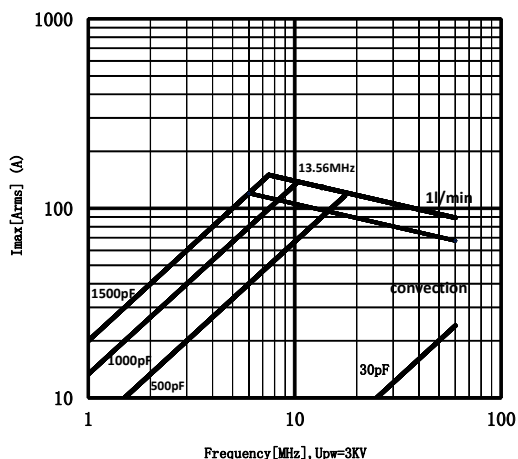


www.glvac.com

Specification	
Capacity $C_{max}$ (nominal)	1500pF
Capacity $C_{min}$ (nominal)	30pF
Voltage (Peak Test $U_{pt}$ /Peak Working $U_{pw}$ )	5KVp/3KVp
Capacity Tolerance (Linear Range)	10%
Max. Current $I_{max}$ at 13.56MHz with	150Arms
Water Cooling	1 L/min
Capacitance per turn	116.7pF/turn
Turns	16.5 ± 1
Torque	≤ 0.2 N · m
Net Weight	1.7kg



$I_{max}$  for 1L/min water cooling;  
max. water temp. at inlet: 70°C



UNLESS OTHERWISE SPECIFIED:

≤30: ±0.5    30~400: ±1.2    ≥400: ±2.5    ∠: ±1°

Address: ST28 Xihu Road, Kunshan, Jiangsu Province, China  
TEL: +86 (512) 36872110

Rev: 10

Web: www.glvac.com  
FAX: +86 (512) 36872122

Page 1/1

Issue: 03-Sep-2024

E-mail: e-sales@glvac.com  
Zip Code: 215333