

Data-Sheet-Variable Vacuum Capacitor CKTB500/15/123

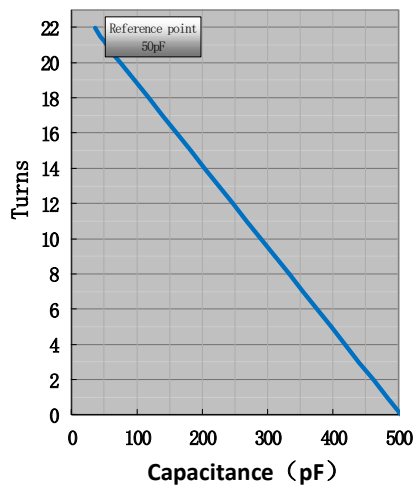


www.glvac.com

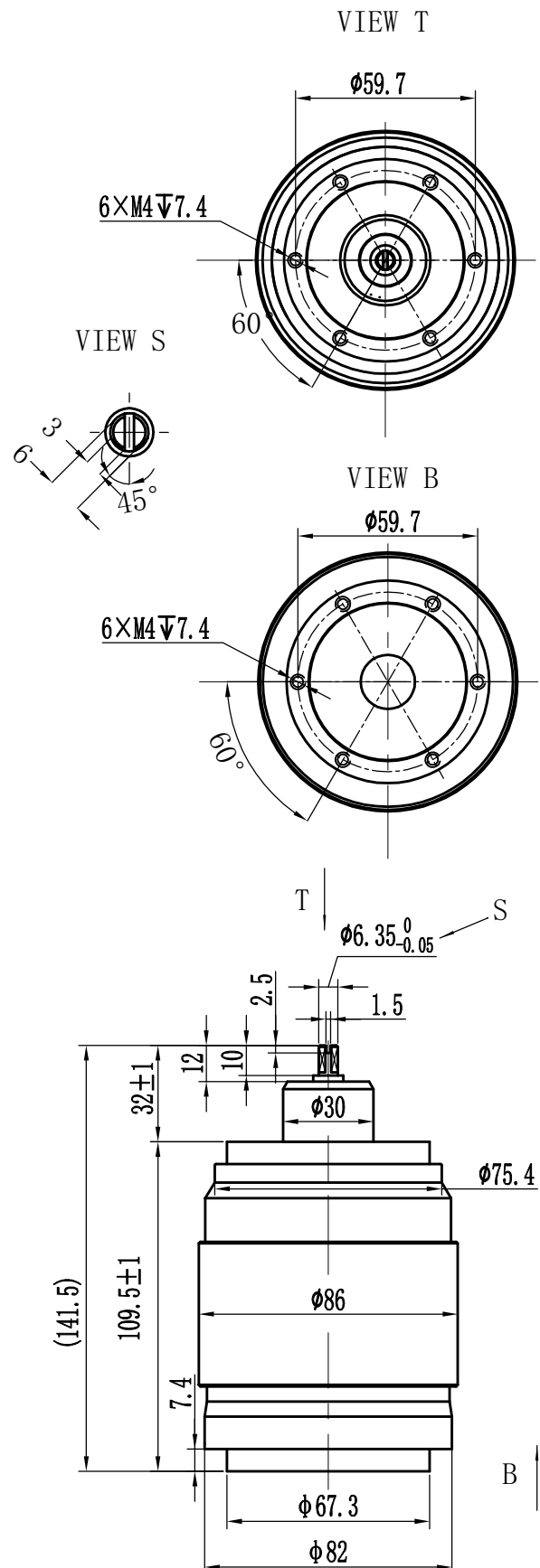
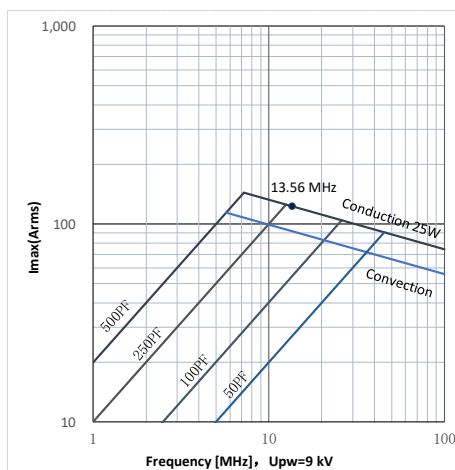
| Specifications | |
|--|-------------------------------------|
| Capacity C_{max} (nominal) | 500pF |
| Capacity C_{min} (nominal) | 50pF |
| Voltage (Peak Test U_{pt} /Peak Working U_{pw}) | 15KVp/9KVp |
| Capacity Tolerance (Linear Range) | $\pm 10\%$ |
| Max. Current I_{max} at 13.56MHz with | 123Arms |
| Conduction Cooling | 25W |
| Capacitance per turn | 21.5pF/turn |
| Torque | $\leq 0.2 \text{ N} \cdot \text{m}$ |
| Net Weight | 1.45kg |

Mechanical stop at $< 50 \text{ pF}$ at ~ -0.9 turns

Mechanical stop at $> 500 \text{ pF}$ at ~ 20.9 turns



I_{max} at 25 °C ambient and 125 °C surface temp for convection and conduction (25W) cooling



UNLESS OTHERWISE SPECIFIED:

≤ 30 : ± 0.5 30~400: ± 1.2 ≥ 400 : ± 2.5 \angle : $\pm 1^\circ$

Rev: 00

Page 1/1

Issue: 21-Oct-2022

Address: ST28 Xihu Road, Kunshan, Jiangsu Province, China
TEL: +86 (512) 36872110

Web: www.glvac.com
FAX: +86 (512) 36872122

E-mail: e-sales@glvac.cn
Zip Code: 215333