

Data-Sheet-Variable Vacuum Capacitor CKTB1500/5/127

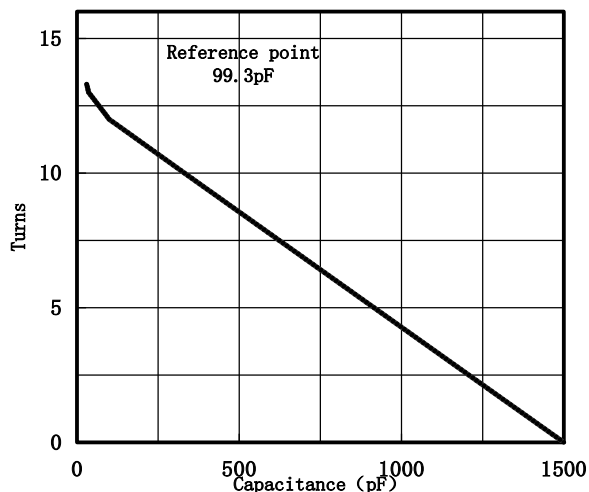


www.glvac.com

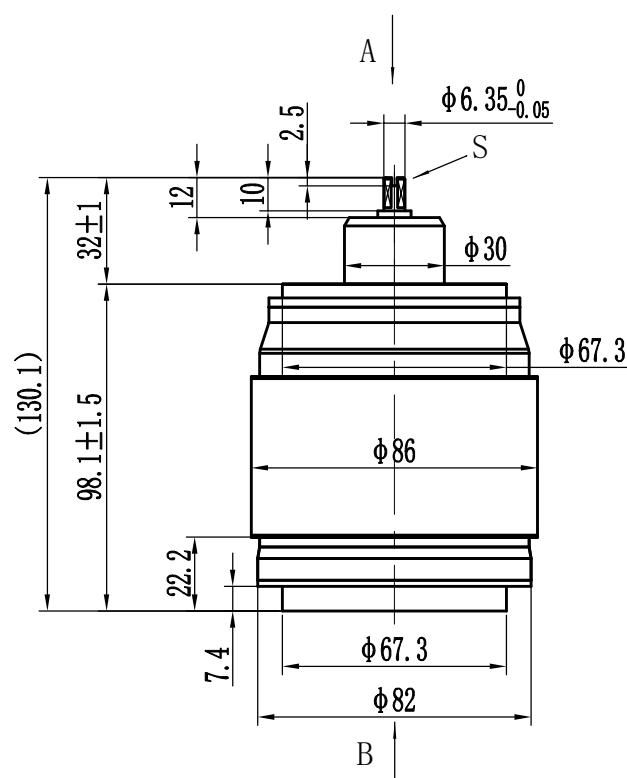
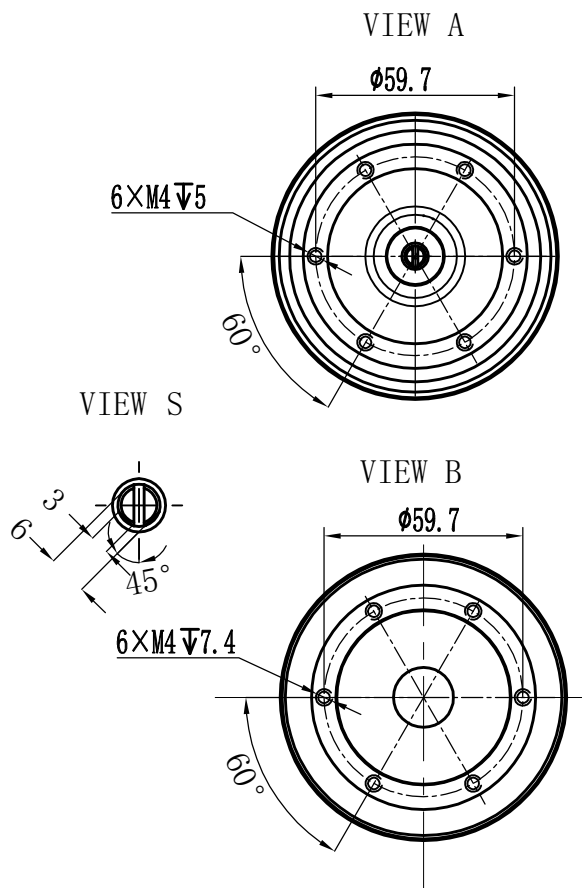
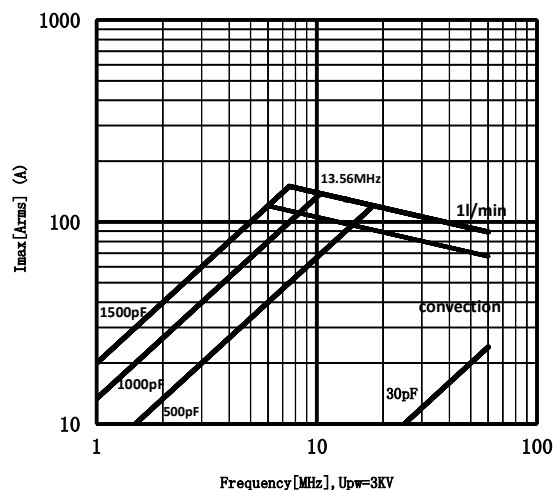
Specifications	
Capacity C_{max} (nominal)	1500pF
Capacity C_{min} (nominal)	30pF
Voltage (Peak Test U_{pt} /Peak Working U_{pw})	5KVp/3KVp
Capacity Tolerance (Linear Range)	$\pm 10\%$
Max. Current I_{max} at 13.56MHz with	127Arms
Conduction Cooling	30W
Capacitance per turn	116.7pF/turn
Torque	$\leq 0.2 \text{ N} \cdot \text{m}$
Net Weight	1.7kg

Mechanical stop at $< 30 \text{ pF}$ at ~ -4.4 turns

Mechanical stop at $> 1500 \text{ pF}$ at ~ 12.3 turns



I_{max} at 25 °C ambient and 125 °C surface temp for convection and conduction (30W) cooling



UNLESS OTHERWISE SPECIFIED:

≤ 30 : ± 0.5 $30 \sim 400$: ± 1.2 ≥ 400 : ± 2.5 \angle : $\pm 1^\circ$

Address: ST28 Xihu Road, Kunshan, Jiangsu Province, China
TEL: +86 (512) 36872110

Web: www.glvac.com
FAX: +86 (512) 36872122

E-mail: e-sales@glvac.cn
Zip Code: 215333

Rev: 00

Page 1/1

Issue: 21-Oct-2022