

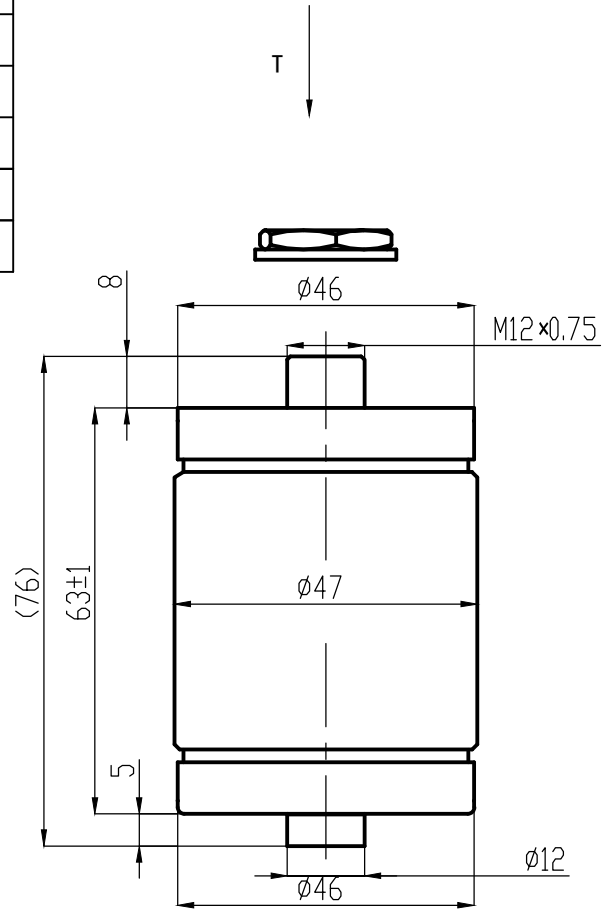
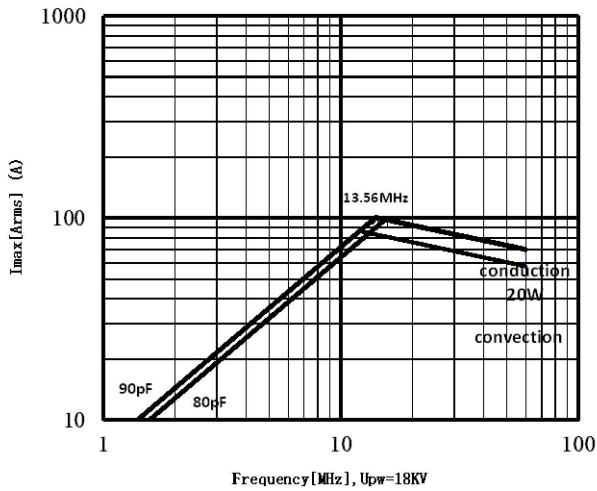
# Data-Sheet-Trimmer Vacuum Capacitor

## CKTBT85/18/97

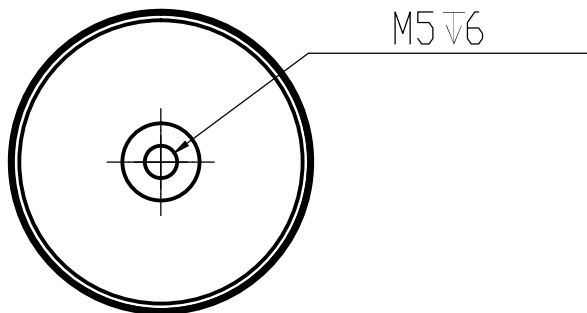


Specification	
Capacity $C_{max}$ (nominal)	90pF
Capacity $C_{min}$ (nominal)	80pF
Voltage (Peak Test $U_{pt}$ /Peak Working $U_{pw}$ )	30KVp/18KVp
Max. Current $I_{max}$ at 13.56MHz with	97Arms
Conduction Cooling	20W
Capacitance per turn	2.6pF
Net Weight	0.4kg

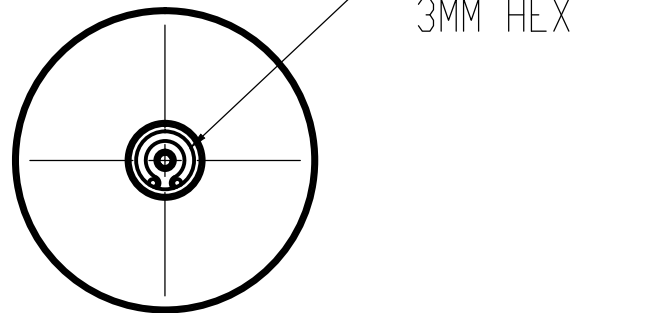
$I_{max}$  at 25 °C ambient and 125 °C surface for convection and conduction (20W) cooling



VIEW B



VIEW T



UNLESS OTHERWISE SPECIFIED:

≤30: ±0.5 30~400: ±1.2 ≥400: ±2.5 ∠±1°

Rev:00

Page: 1/1

Issue: 31-Mar-2021

Address: ST28 Xihu Road, Kunshan, Jiangsu Province, China  
TEL: +86 (512) 36872110

Web: www.glvac.com  
FAX: +86 (512) 36872122

E-mail: e-sales@glvac.cn  
Zip Code: 215333