

# Data-Sheet-Trimmer Vacuum Capacitor

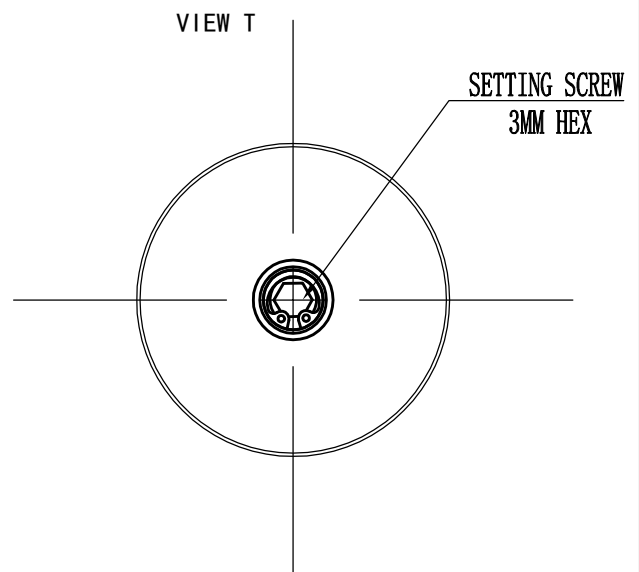
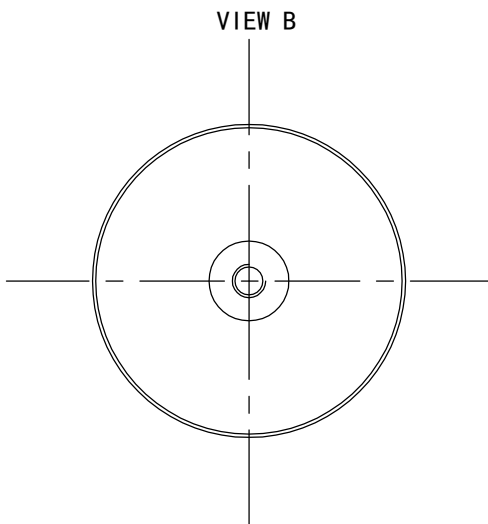
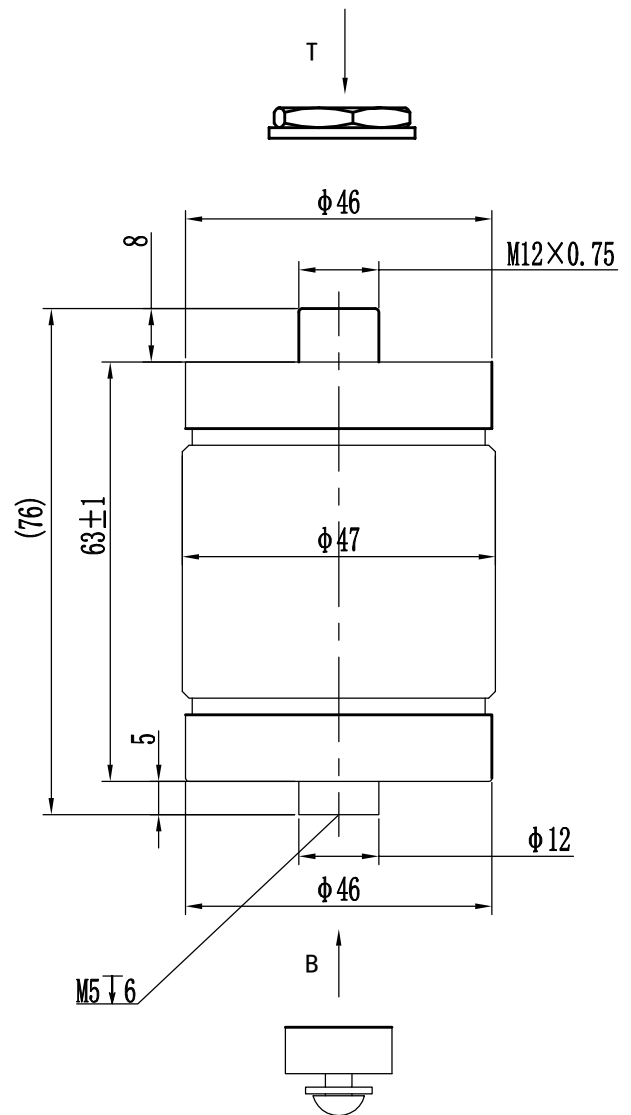
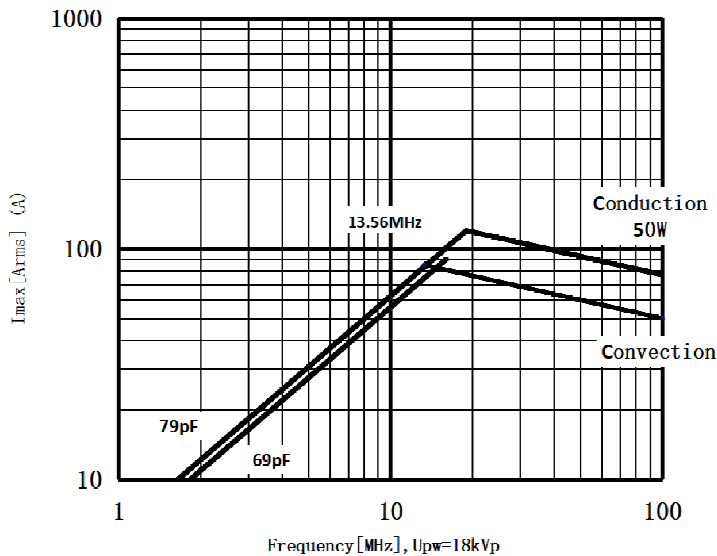
## CKTBT74/18/85



www.glvac.com

Specifications	
Capacity $C_{max}$ (nominal)	79pF
Capacity $C_{min}$ (nominal)	69pF
Voltage (Peak Test $U_{pt}$ /Peak Working $U_{pw}$ )	30KVp/18KVp
Max. Current $I_{max}$ at 13.56MHz with	85Arms
Conduction Cooling	50W
Capacitance per turn	2.6pF/turn
Torque	<0.2N · m
Net Weight	0.4kg

$I_{max}$  at 25°C ambient and 125°C surface temp.  
for convection and conduction (50W) cooling



UNLESS OTHERWISE SPECIFIED:

≤30: ±0.5    30~400: ±1.2    ≥400: ±2.5    ∠: ±1°

Rev: 00

Page1/1

Issue: 20-Dec-2021

Address: ST28 Xihu Road, Kunshan, Jiangsu Province, China  
TEL: +86 (512) 36872110

Web: www.glvac.com  
FAX: +86 (512) 36872122

E-mail: e-sales@glvac.cn  
Zip Code: 215333