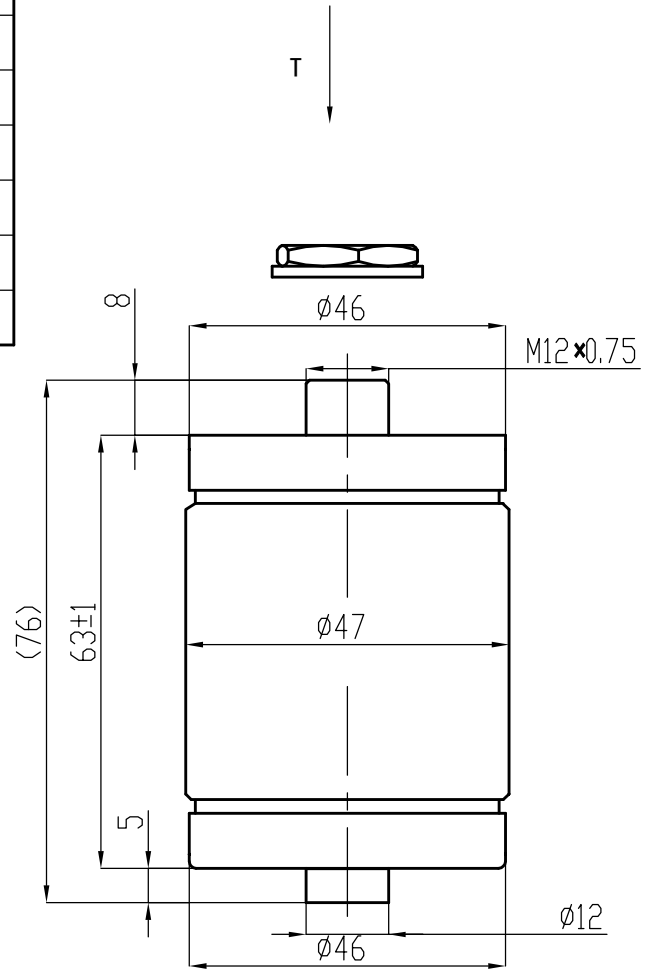
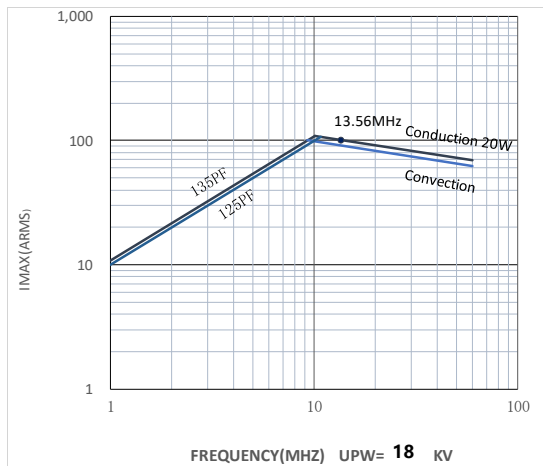
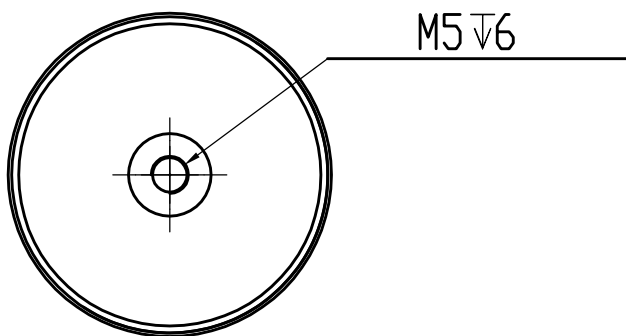


Specification	
Capacity C_{max} (nominal)	135pF
Capacity C_{min} (nominal)	125pF
Voltage (Peak Test U_{pt} /Peak Working U_{pw})	30KVp/18KVp
Max. Current I_{max} at 13.56MHz with	101Arms
Conduction Cooling	20W
Capacitance per turn	3pF
Torque	< 0.2N · m
Net Weight	0.7kg

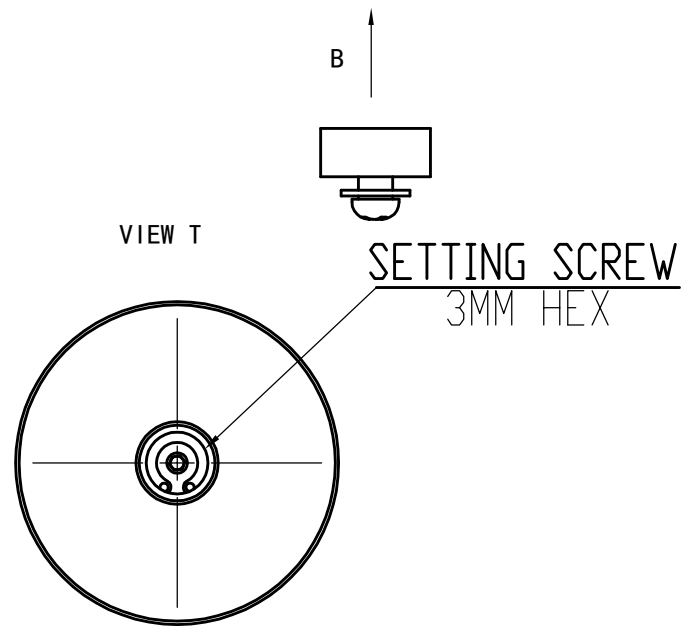
I_{max} at 25 °C ambient and 125 °C surface for convection and conduction (20W) cooling



VIEW B



VIEW T



UNLESS OTHERWISE SPECIFIED:

$\leq 30: \pm 0.5$ $30 \sim 400: \pm 1.2$ $\geq 400: \pm 2.5$ $\angle \pm 1^\circ$