

## GL150 Specification

### Anode Parameter

Peak forward anode voltage:	25kV
Peak inverse anode voltage:	25 kV
Peak anode current:	1000A
Average anode current:	1A
Rate of rise of anode current:	5000A/ $\mu$ s
Plate breakdown factor:	$12.5 \times 10^9$ VApps
Maximum pulse power:	12.5MW

### Grid drive

Unloaded grid drive pulse voltage:	450V~1500V
Grid 2 pulse duration:	0.6 $\mu$ s (min)
Rise duration of grid pulse:	0.35 $\mu$ s (max)
Peak inverse grid voltage:	650V(max)
Forward impedance of grid 2 circuit:	25 $\Omega$ ~250 $\Omega$

### Heater

Cathode heater voltage:	6.3V $\pm$ 5%V ac
Cathode heater current:	17 $\pm$ 1A
Reservoir heater voltage:	4.6V $\pm$ 5%V ac
Reservoir heater current:	3.3A $\pm$ 0.5A
Minimum heater time:	5min

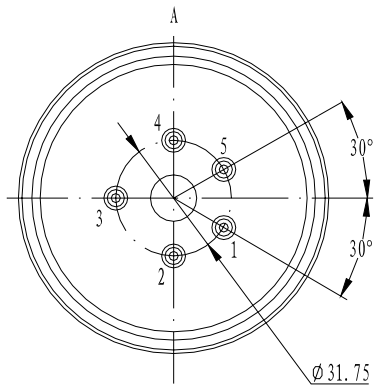
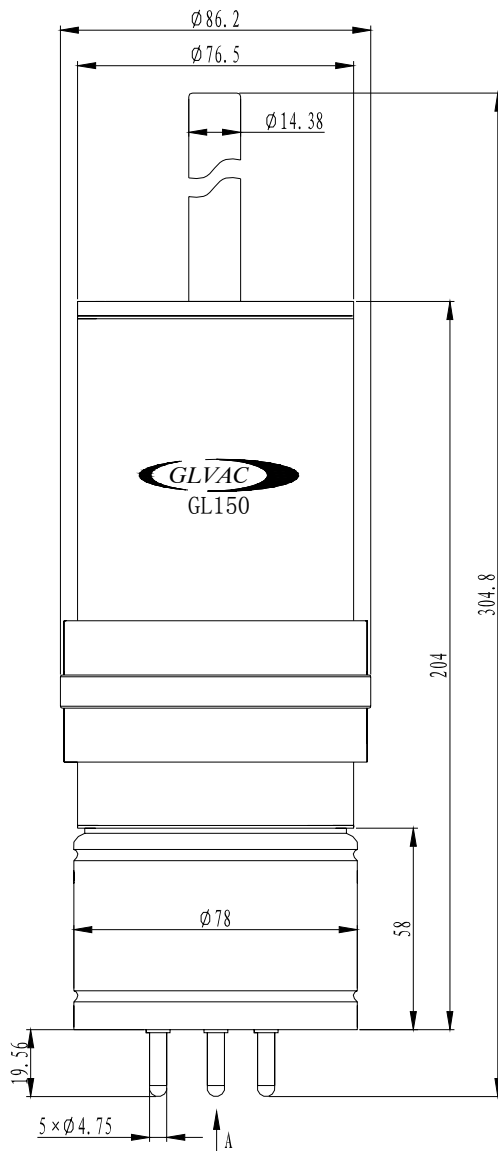
### Mechanical

Mounting position:	Any
Dimension:	See outline
Cooling way:	Forced-air

### Cross reference

Triton:	F-150
---------	-------





Pin	Element
1	Reservoir and cathode heater
2	Cathode
3	Grid
4	Reservoir heater
5	Cathode heater
Top cap	Anode