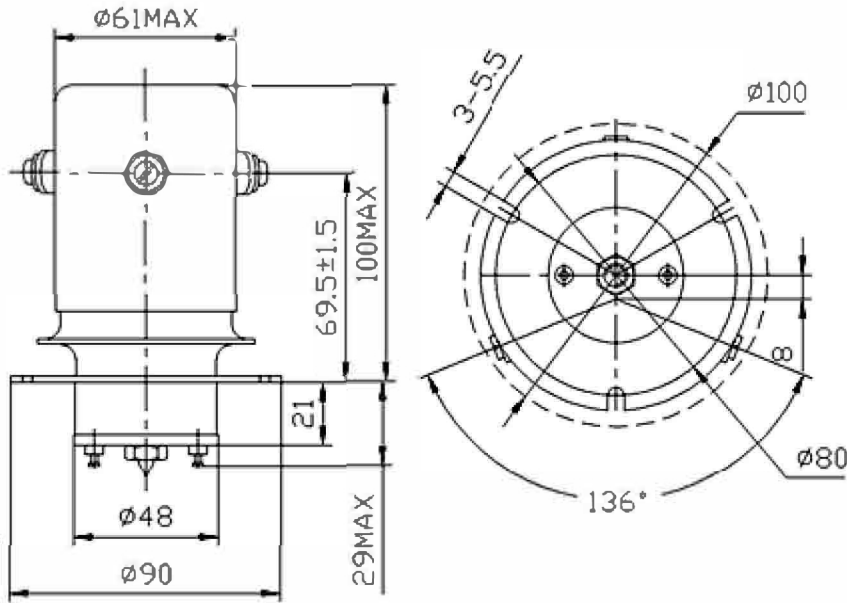


High Voltage Relays: GL52



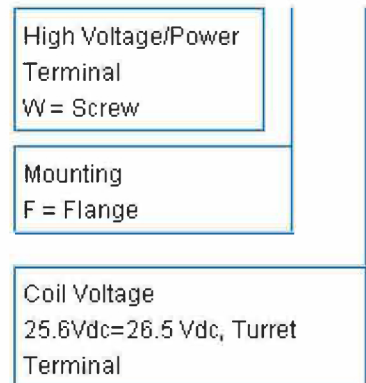
- Features**
- High carry current, 150A_{dc} continuous, in a small package
 - Low, stable contact resistance minimizes loss in RF circuits
 - Solder or threaded high voltage connections help make installation easy.
 - Consult factory for load switching applications



Product Specification			
Contact & Relay Ratings		Units	GL52
Contact Form			C
Contact Arrangement			SPDT
Test Voltag.(kV, Peak), Test Max., Contacts & to Base (15 μA Leakage Max., dc or 60Hz)		KV Peak	28
Rated Operating Voltage.(kV,Peak),	dc or 60Hz	KV Peak	25
	2.5MHz	Kv Peak	15
Contacts & to Base (15 μA Leakage Max.)	16MHz	KV Peak	10
	32MHz	KV Peak	7
Continuous Current, Carry Max	dc or 60Hz	Amps	150
	13.56MHz	Amps	75
Coil Hi-Pot (V RMS, 60 Hz)		V	500
Capacitance	Across Open Contacts	pF	5
	Contacts to Ground	pF	5
Resistance, Contact Max @ 1A, 28Vdc		ohms	0.005
Operate Time, Max		ms	100
Release Time, Max		ms	15
Mechanical Life		Cycles	1 million
Weight		g	1400
Vibration, Sine (10-2000 Hz Peak)		G's	10
Shock, 1/2 Sine 11ms (Peak)		G's	30
Operating Temperature Ambient		°C	-55 ~ +125

Coil Ratings		
Nominal, Volts dc	12	24
Pick-up, Volts dc, Max	8	16
Drop-Out, Volts dc	0.5-5	1-10
Coil Resistance (Ω±10%)	15	60
* Ratings listed are for 25°C, sea level conditions		

GL52 W F -24Vdc



* Order the relay with the coil voltage in the part number as shown above. The coil voltage will appear on the coil plate near the coil terminals rather than in the P/N on the relay.