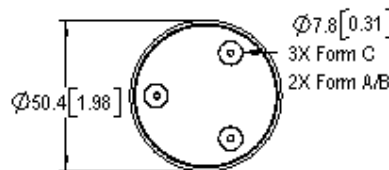
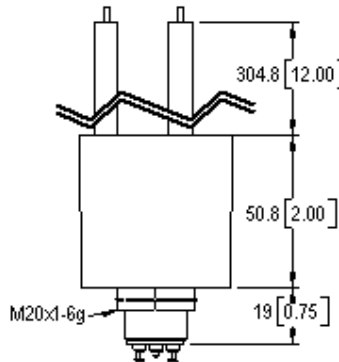


G61A - G61B - G61C

35 kV

Make Only Load Switching
RoHS Compliant



FEATURES	
G61A & G61B & G61C	
Make Only Load Switchings	
•	Compact design saves precious space while isolating 35kV
•	Flying leads provide versatile high voltage connections
•	Excellent for capacitive discharge and safety dump switch applications
•	Effectively bounce free operation

PRODUCT SPECIFICATIONS				
Contact & Relay Ratings	Units	G61A	G61B	G61C
Contact Form		A	B	C
Contact Arrangement		SPST-NO	SPST-NC	SPDT
Voltage, Test Max., Contacts & to Base (15 µA Leakage Max, dc or 60Hz)	kV Peak	40	40	40
Voltage, Operating Max., Contacts & to Base (15 µA Leakage Max.)				
dc	kV Peak	35	35	35
2.5 MHz	kV Peak	-	-	-
16 MHz	kV Peak	-	-	-
32 MHz	kV Peak	-	-	-
Current, Continuous Carry Max				
dc or 60 Hz	Amps	10	10	10
2.5 MHz	Amps	-	-	-
16 MHz	Amps	-	-	-
32 MHz	Amps	-	-	-
Coil Hi-Pot (V RMS, 60 Hz)	V	500	500	500
Capacitance				
Across Open Contacts	pF	-	-	-
Contacts to Ground	pF	-	-	-
Resistance, Contact Max @ 1A, 28 Vdc	ohms	1.0	1.0	1.0
Operate Time	ms	15	15	15
Release Time	ms	15	15	15
Life, Mechanical	cycles	1 million	1 million	1 million
Weight, Nominal	g (oz)	336 (12)	336 (12)	336 (12)
Vibration, Operating, Sine (55-500 Hz Peak)	G's	10	10	10
Shock, Operating, 1/2 Sine 11ms (Peak)	G's	20	20	20
Temperature Ambient Operating	°C	-55 to +85	-55 to +85	-55 to +85

COIL RATINGS			
Nominal, Volts dc	12	26.5	115
Pick-up, Volts dc, Max.	9	18	90
Drop-Out, Volts dc	.5 - 5	1 - 10	5 - 50
Coil Resistance (Ohms ±10%)	30	125	2000

Ratings listed are for 25°C, sea level conditions

For more information, refer to
[Relay User Instructions](#)

G61 **A** **7** **4** **1**

Contact Form A = SPST-NO B = SPST-NC C = SPDT	
Coil Voltage 7 = 12 Vdc, Turret Terminal 8 = 26.5 Vdc, Turret Terminal 9 = 115 Vdc, Turret Terminal	
High Voltage Connections 4 = Flying Leads, 12" 7 = Flying Leads, 72" 8 = Flying Leads, 36"	
Mounting 1 = Threaded	