

GL101 Specification

Anode Parameter

Peak forward anode voltage:	20 kV
Peak anode current:	500 A
Average anode current:	0.5 A
Rate of rise of anode current:	2000 A/ μ s
Anode heating factor:	10×10^9 VApps
Maximum pulse power:	5MW

Grid drive

Unloaded grid 2 drive pulse voltage:	200V~500V
Grid 2 pulse duration:	2 μ s
Rate of rise of grid 2 pulse:	2kV/ μ s
Peak inverse grid 2 voltage:	200V max
Forward impedance of grid 2 circuit:	50 Ω ~200 Ω

Heater

Cathode heater voltage:	6.3V \pm 5%V ac
Cathode heater current:	5.0A~8.5A
Reservoir heater voltage:	6.3V \pm 5%V ac
Reservoir heater current:	2.0A~4.0A
Minimum heater time:	5min

Mechanical

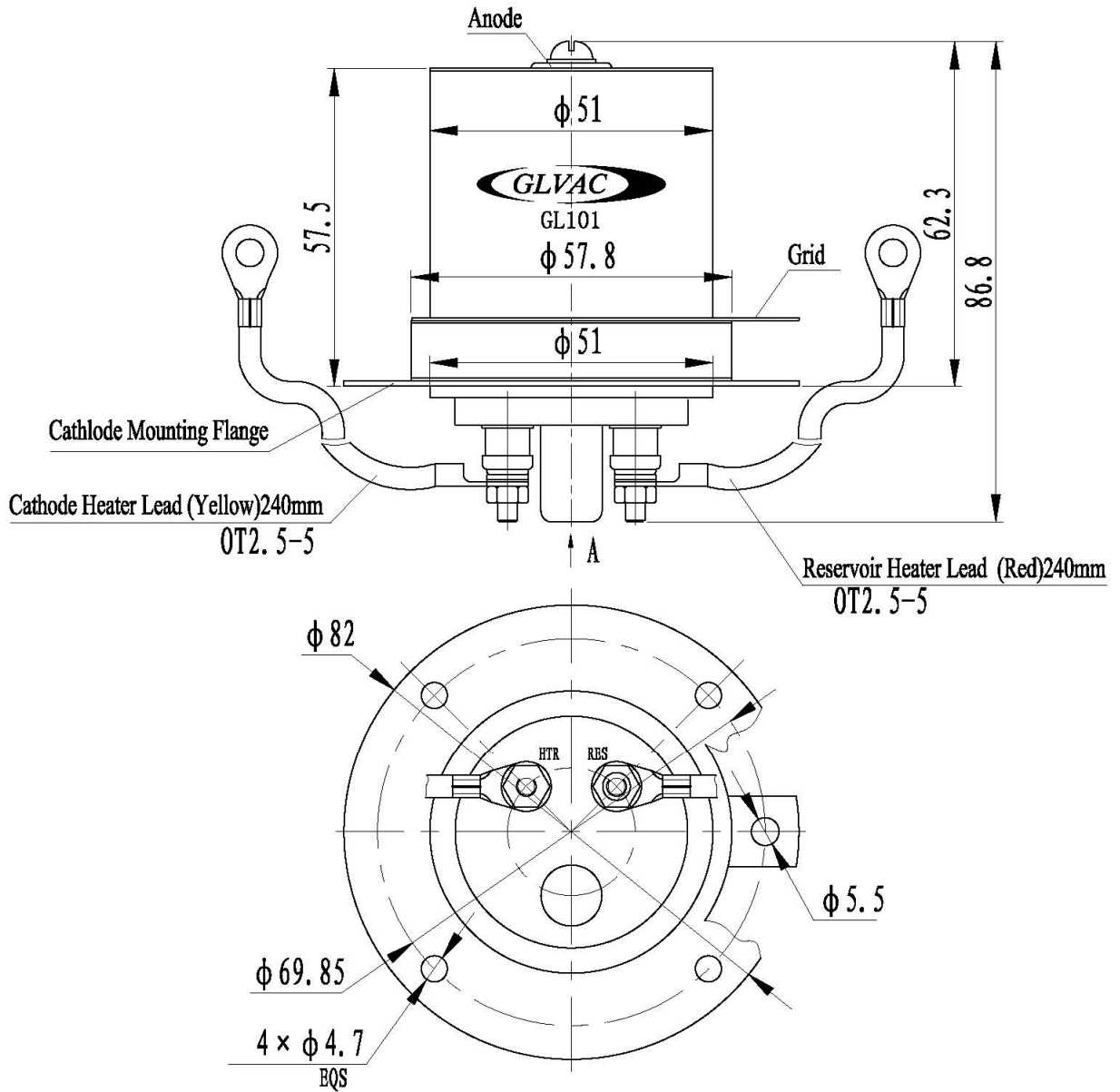
Mounting position:	Any
Net weight:	360g approx
Dimension and tube connections:	See outline
Cooling way:	Forced-air and natural (see notes)

Notes

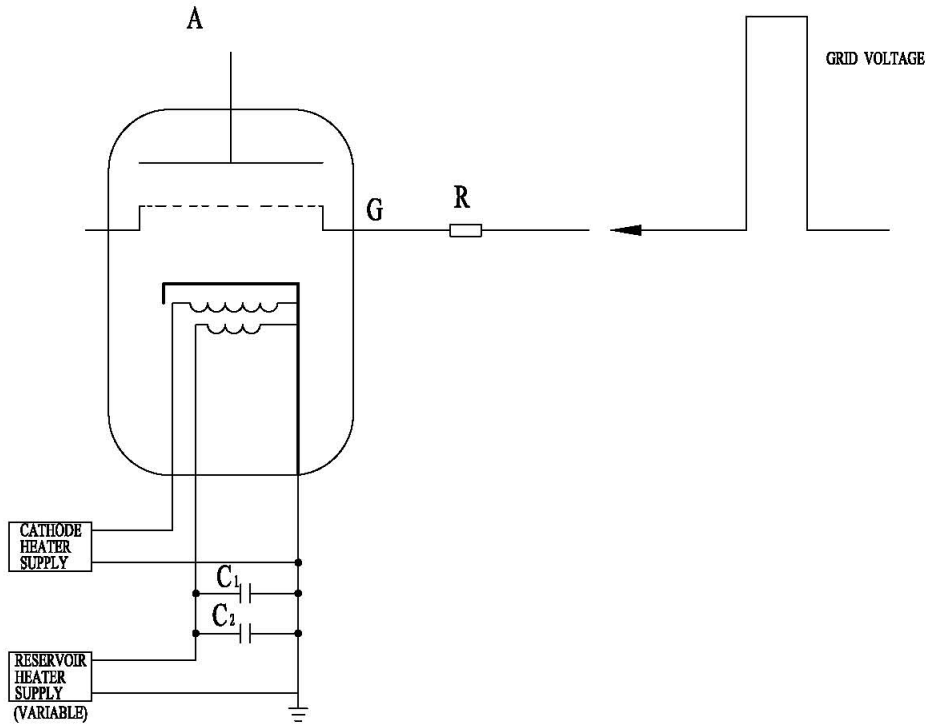
The temperature of the envelope must not exceed the value specified below.

Ceramic, anode and grids.....	150 $^{\circ}$ C
Cathode mounting flange and base.....	120 $^{\circ}$ C

OUTLINE



SCHEMATIC DIAGRAM



- R₁, Grid 1 series resistor. 12 W vitreous enameled wire wound is recommended, of a total impedance to match the grid 1 drive pulse circuit.
- R₂, Grid 2 series resistor. 12 W vitreous enameled wire wound is recommended, of a total impedance to match the grid 2 drive pulse circuit.
- C₁, Reservoir protection capacitors, 1000pF low inductance with a voltage rating $\geq 500V$. (e . g . ceramic)
- C₂, Reservoir protection capacitors, 1 μ F with a voltage rating $\geq 500V$. (e . g . polycarbonate or polypropylene)