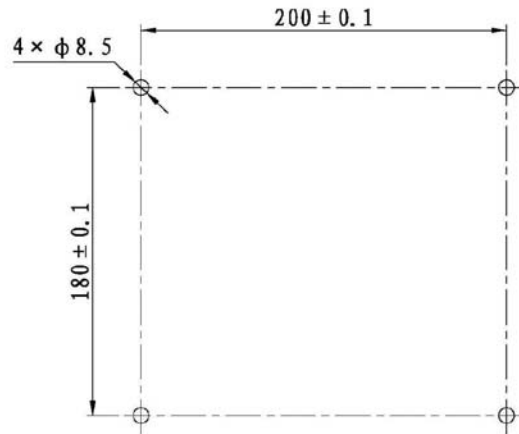
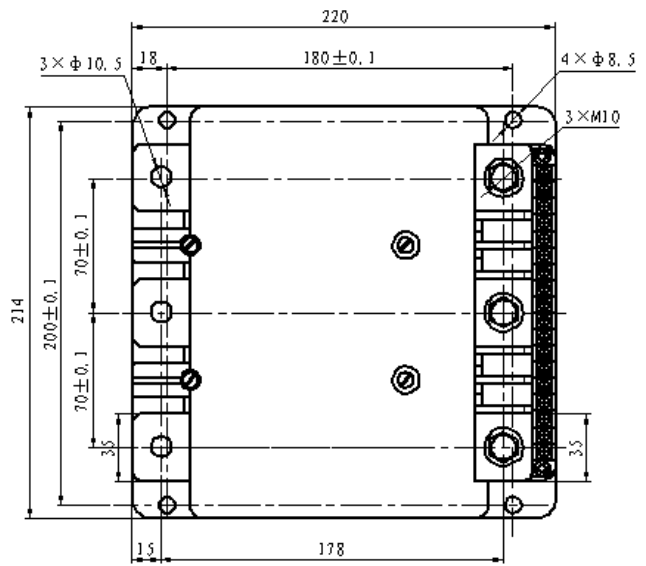
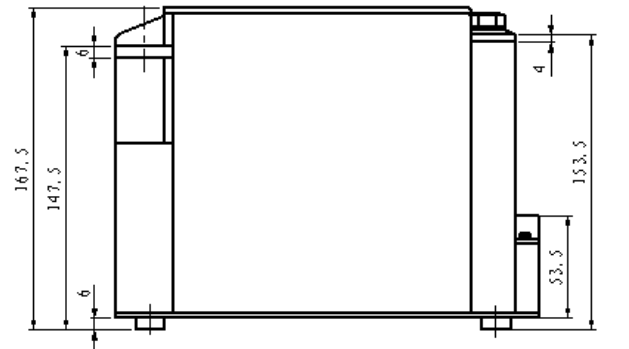


Product Outline Drawing

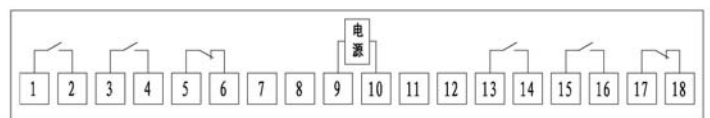


CKJ11-500/3.6 AC Vacuum Contactor



Mounting Dimension

Technical Parameters		
Rated Voltage	kV	3.6
Rated Current	A	500
Rated Making Capacity	A/100 Times	4000
Rated Breaking Capacity	A/25 Times	4000
Limited Breaking Capacity	A/3 Times	5000
Rated Short Time Withstanding Current (2s)	kA	5
Rated Peak Withstanding Current	kA	12.5
Mechanical Life	Times	$1 \times 10^6$
Electrical Life	Times	$6 \times 10^4$
Weight	kg	10
Control Power Voltage	V (AC)	110、220
Pick-up Power	W (transient)	400
Hold Power	W	45
Auxiliary Contact	4 pairs NO, 2 pairs NC	
Auxiliary Contact Capacity	AC-15: Ue:AC380V Ie:0.7A DC-13: Ue:DC220V Ie:0.1A	



Wiring Diagram