



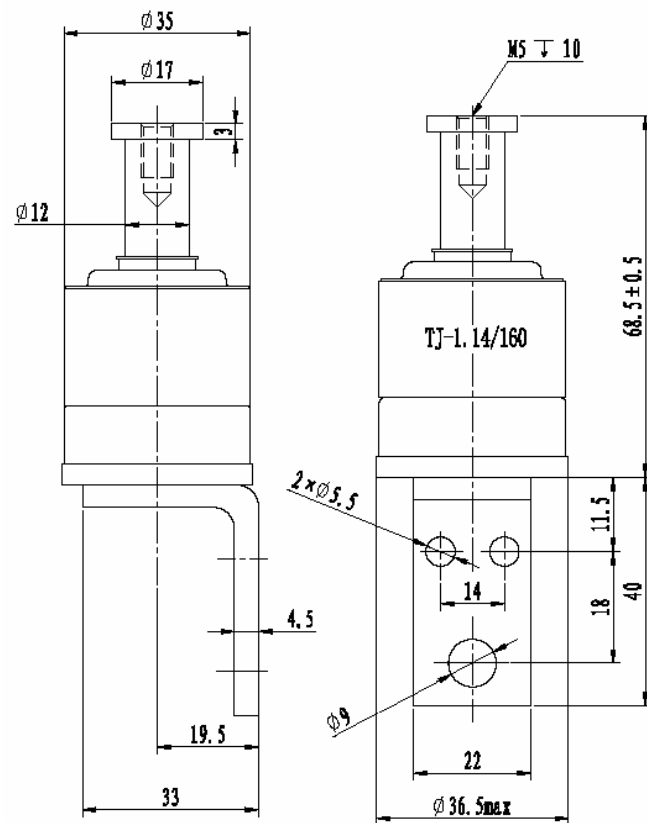
## TJ-1.14/160E Contactor used vacuum interrupter

### Brief introduction:

The Interrupter adopts “one shut technology”, ceramic shell, CuWC as the contact material; is characterized by high insulation, low stop-flow, strong blowout ability, long life, small size etc, and has advantages as easy to maintain, no explosion risk, pollution-free and low noise etc. Contactors assembled by it are used to control and protect the electricity transmission and distribution system in electrical, mechanical, chemical, metallurgy, mining and railway department, especially in frequent operation fields.

### Main technical specifications

Rated working voltage:	kV	1.14
Rated working current:	A	160
Rated making current capacity:	KA/times	1.6/50
Rated breaking current capacity:	KA/times	1.28/50
Limiting breaking current capacity	KA/times	4/3
Rated short-time withstand current		
/duration: :	KA/S	1.28/10
Rated current on and off times	times	$6 \times 10^4$
1 minute withstand voltage:	KV	10
contact resistance under contact automatic		
Closing pressure	$\mu\Omega$	$\leq 120$
Mechanical Life:	times	$1 \times 10^6$
Contact automatic closing		
force at atmospheric pressure	N	$25 \pm 5$
Contact Max stroke	mm	3
counterforce at		
contact rated stroke:	N	$40 \pm 10$
contact erosion limit:	mm	1
Interrupter Max weight	Kg	0.25
Storage duration	year	15



### The specification required of the contactor structure

Contact rated stroke	mm	2
Contact Overtravel:	mm	1
Rated contact working pressure	N	85
Average opening speed :	m/s	0.3~0.5
Average closing speed:	m/s	0.05~0.15
Contact closing bounce time	ms	$\leq 3$
Three-phases synchronization	ms	$\leq 1$